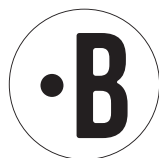
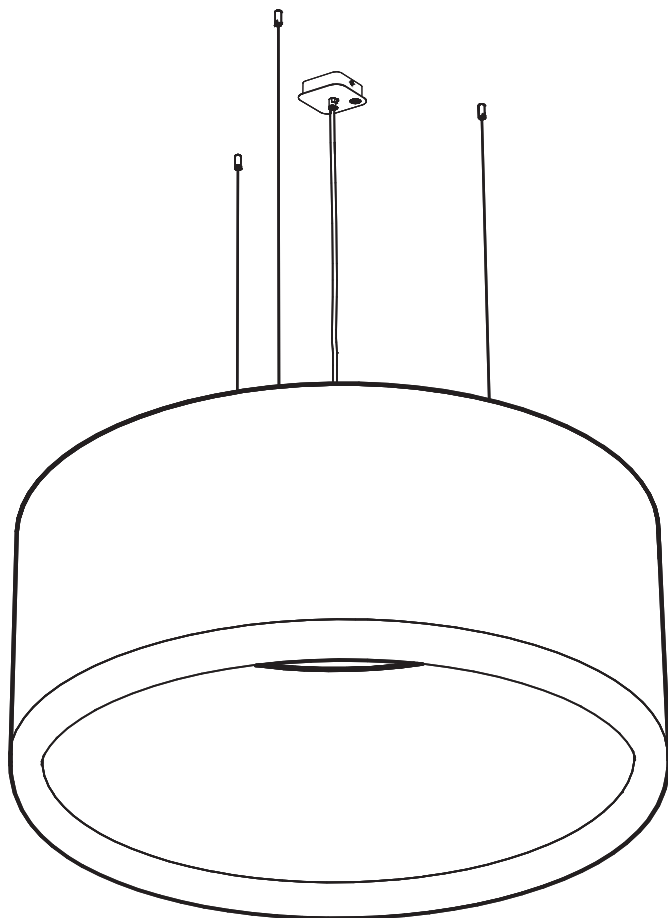


# BuzziJet Ceiling Suspended XL | XXL

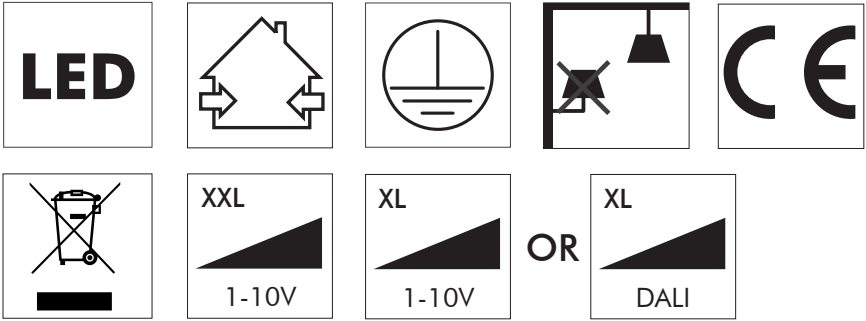
INSTALLATION MANUAL

230V



## Technical info

---



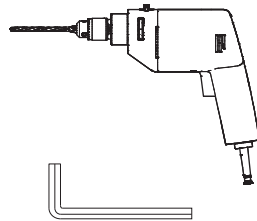
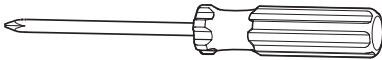
## Environmental Protection

Waste electrical products should not be disposed of with household waste. Please recycle where facilities exist. Check with your Local Authority or retailer for recycling advice.

**⚠** The light source of this luminaire is not replaceable; when the light source reaches its end of life the whole luminaire shall be replaced.

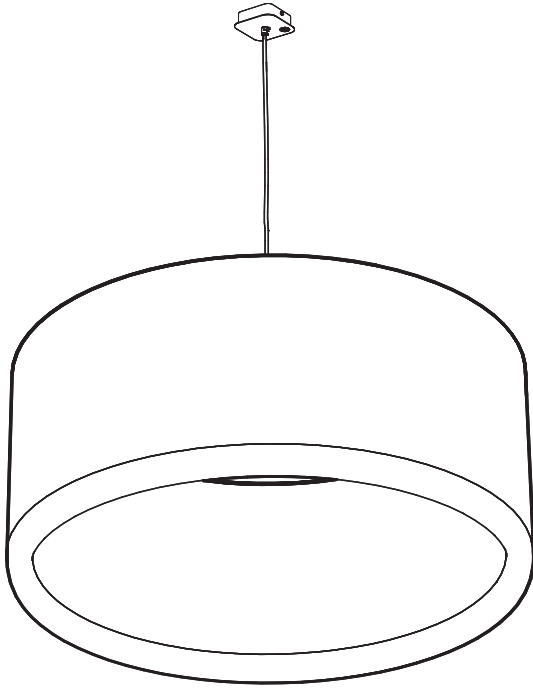
## Excluded

---



# Included BuzziJet Ceiling Suspended XL | XXL

---



3x



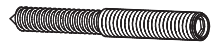
3x



3x

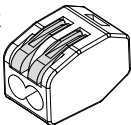


3x

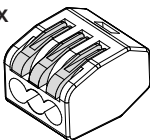


M6

4x

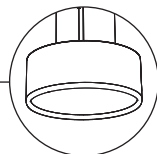


1x

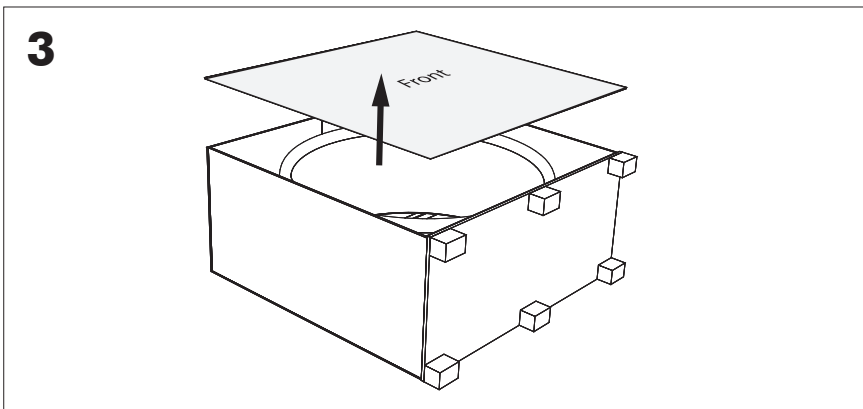
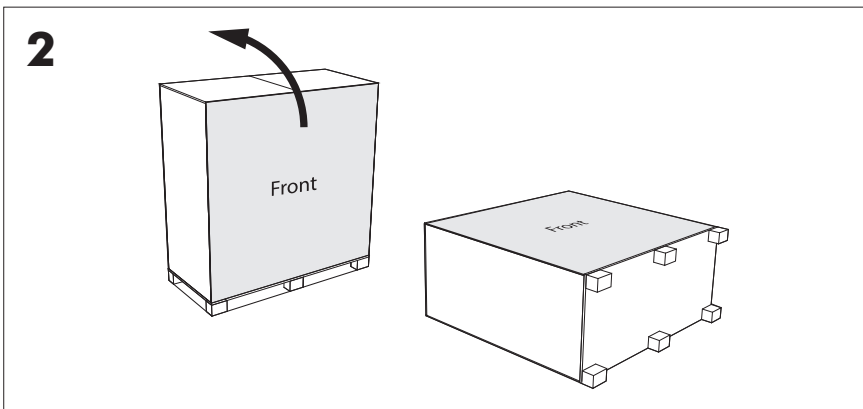
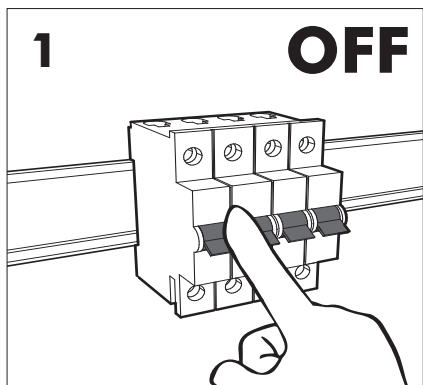


3x

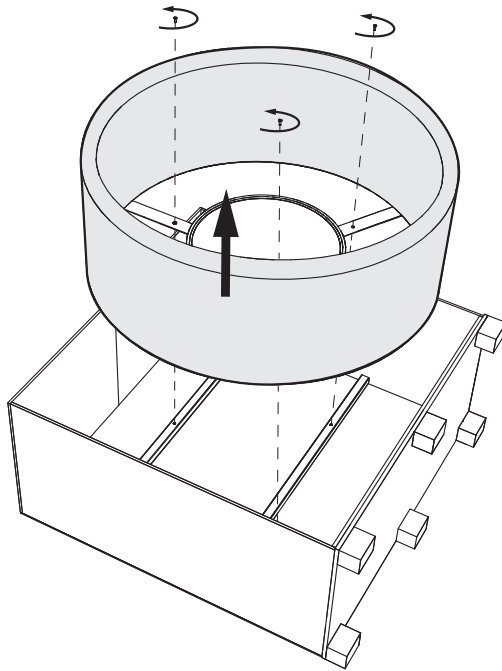




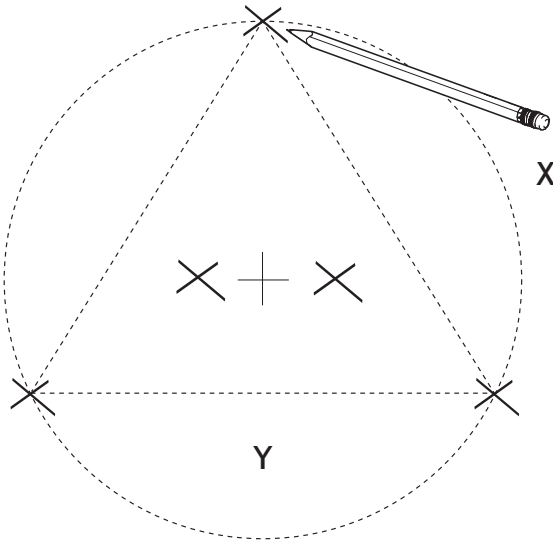
2 PERS. 



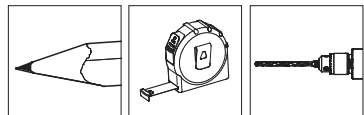
4



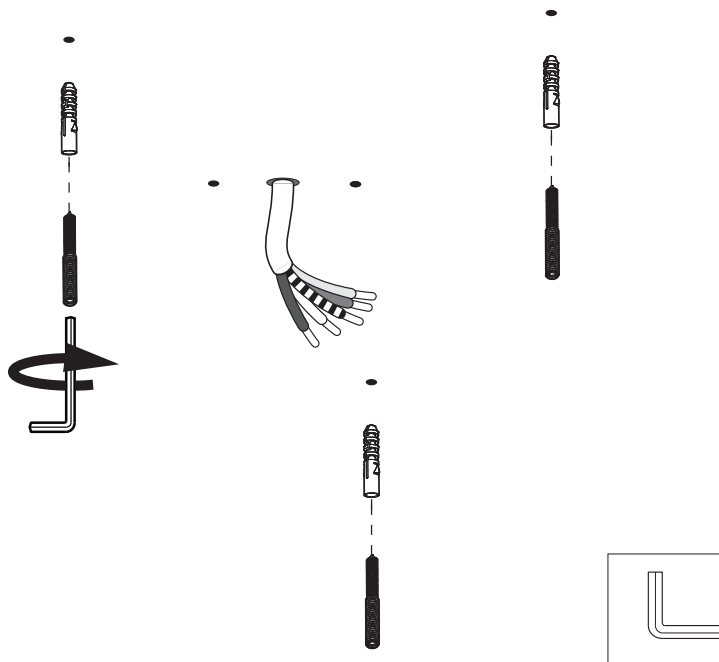
5



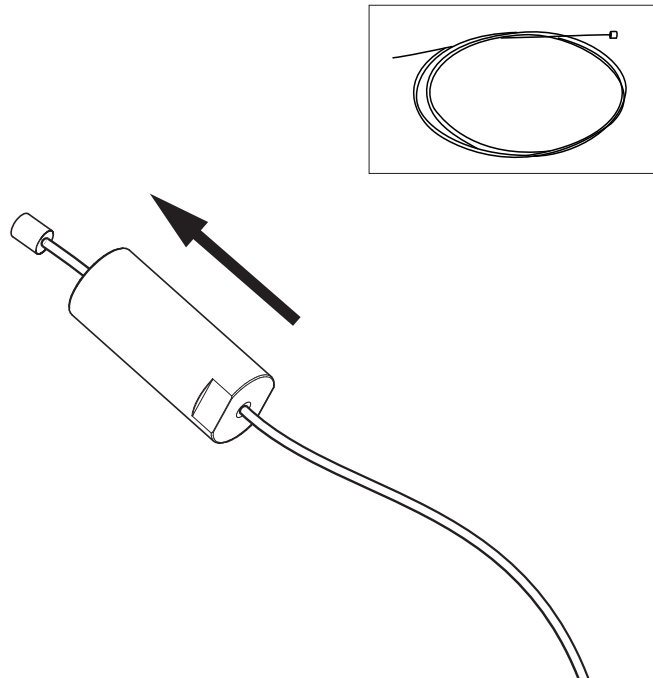
**XL:** X Ø 60 cm | Y 52 cm  
**XXL:** X Ø 90 cm | Y 78 cm



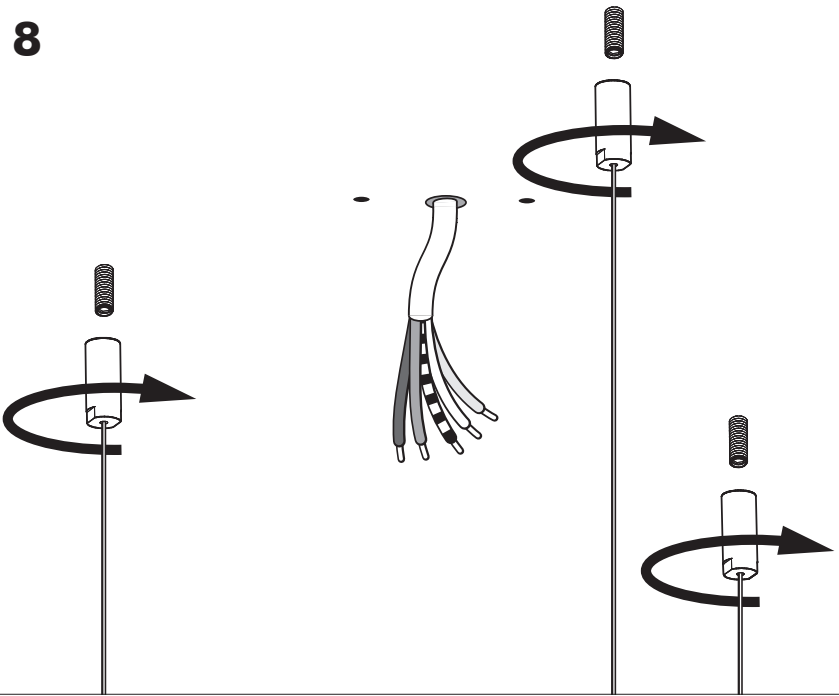
6



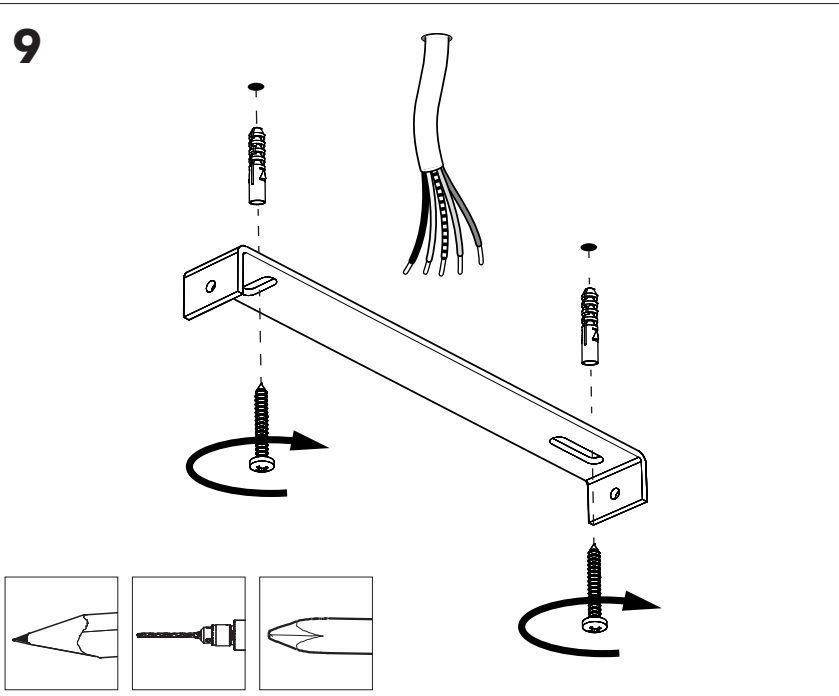
7



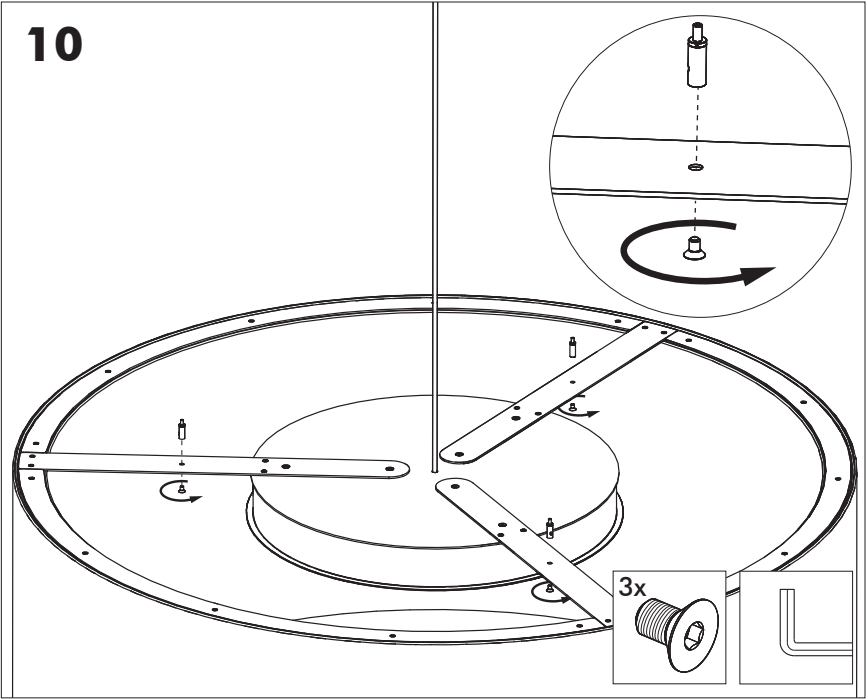
8



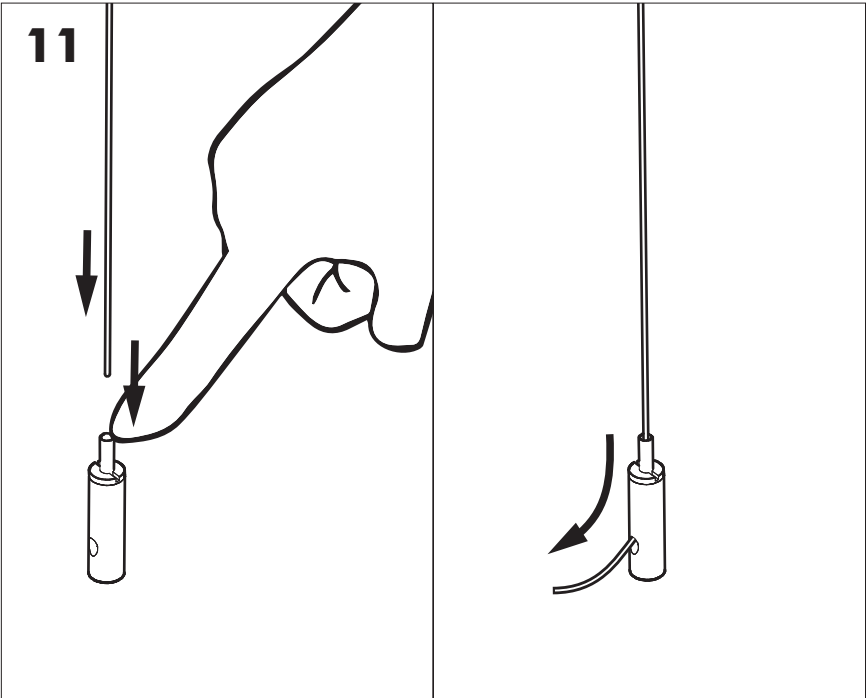
9



10

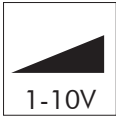


11





# 12a



1-10V



DALI



DMX



DST

Connection including dimmable function

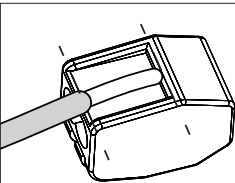


1-10V

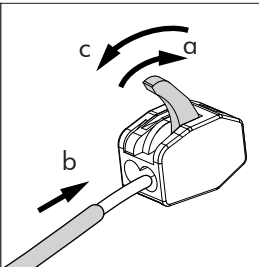
Dim+

Dim-

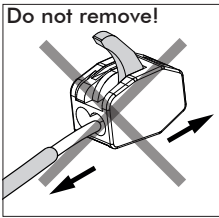
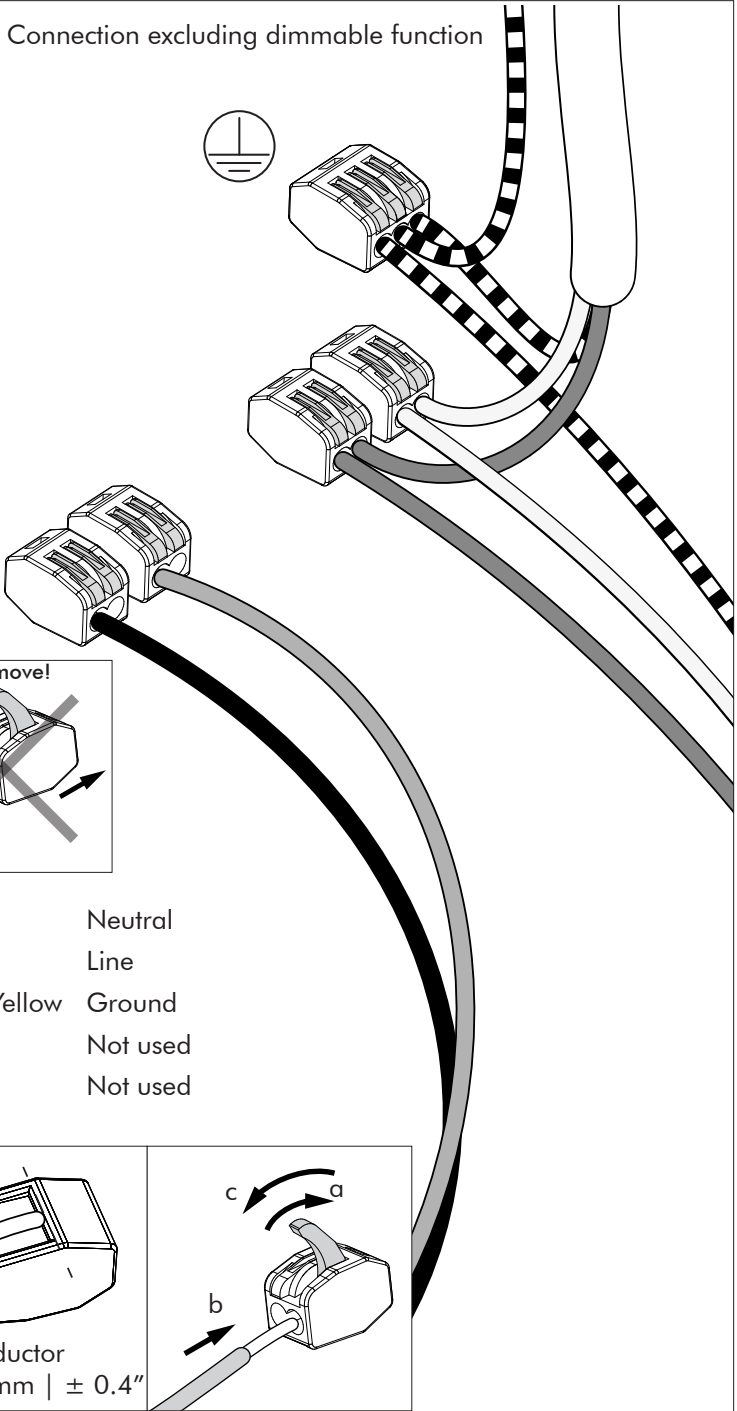
Blue	Neutral
Brown	Line
Green/Yellow	Ground
White	DIM -
Black	DIM +



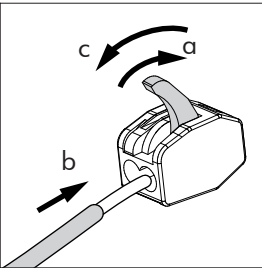
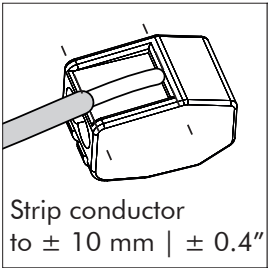
Strip conductor  
to  $\pm 10 \text{ mm}$  |  $\pm 0.4''$

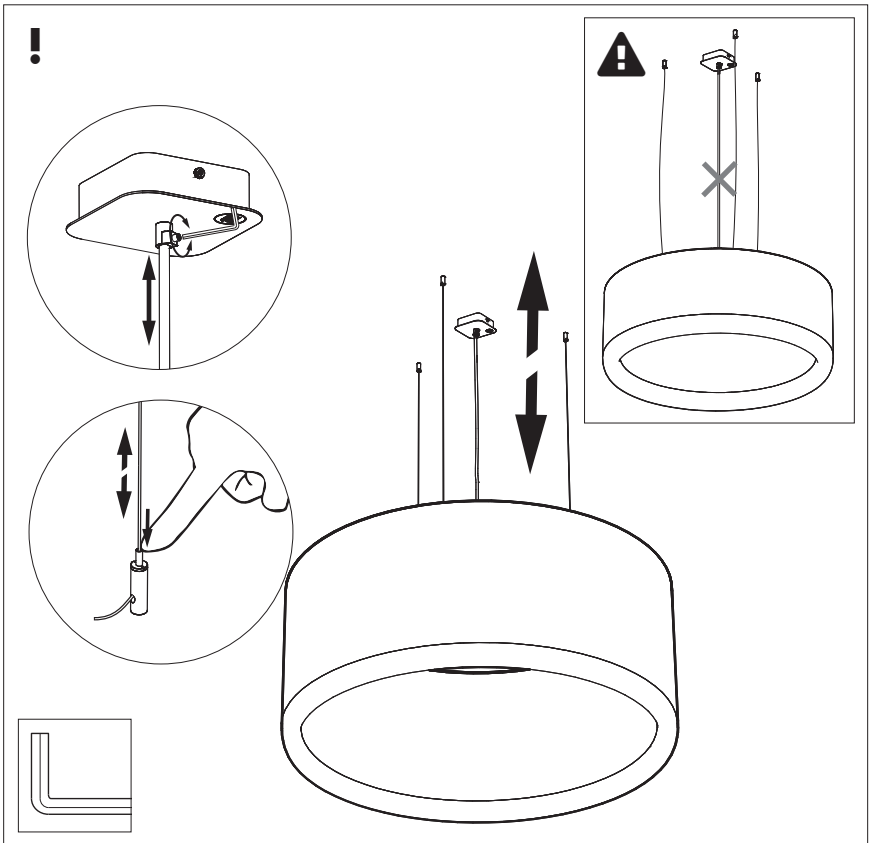
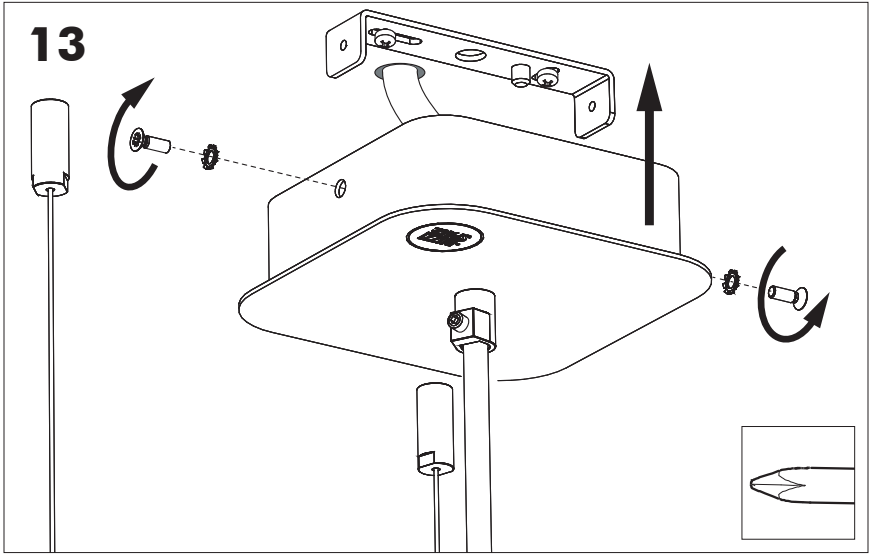


# 12b Connection excluding dimmable function



Blue	Neutral
Brown	Line
Green/Yellow	Ground
White	Not used
Black	Not used





**BuzziSpace**  
Groeningenlei 141  
2550 Antwerp, Kontich  
Belgium  
☎ +32 (0)3 846 10 00  
✉ info@buzzi.space  
🌐 www.buzzi.space



A-0000007796/02  
Last update: 22/08/2024