

BuzziPlanter

45 | 45 Long | 80 | 90 | 90 Half

INSTALLATION MANUAL



*Plant not included

BuzziPlanter



1 PERS. 

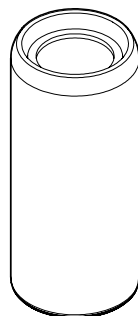
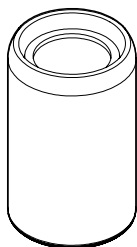
Included (sold separately)

45 L

45 S

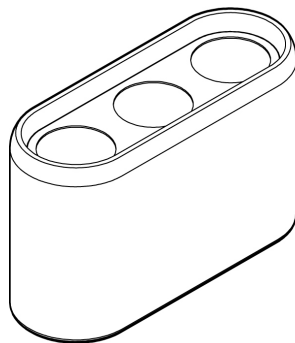
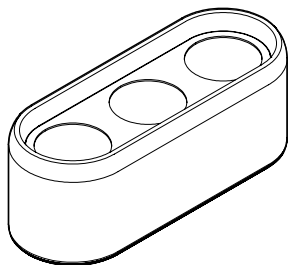


45 M

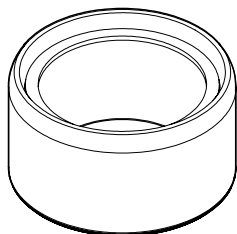


45 Long M

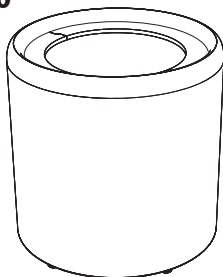
45 Long S



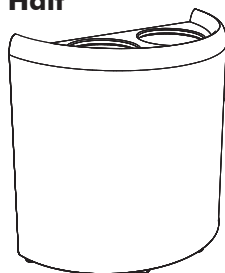
80 S

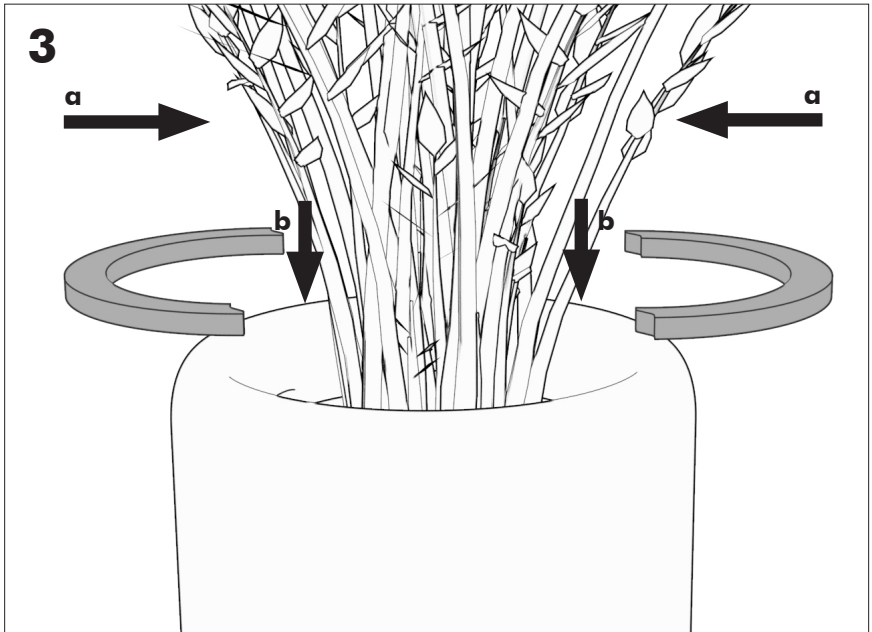
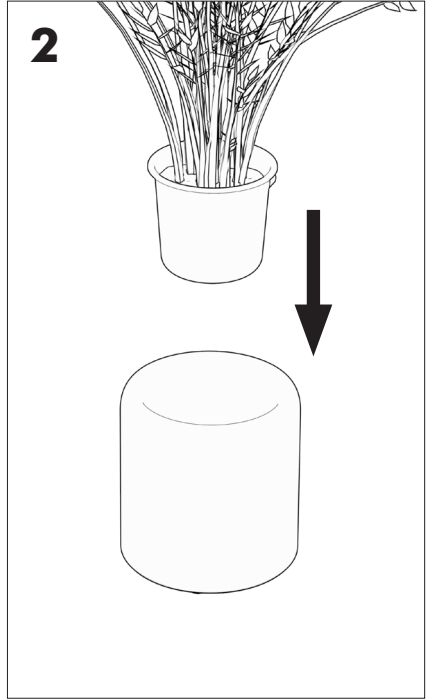
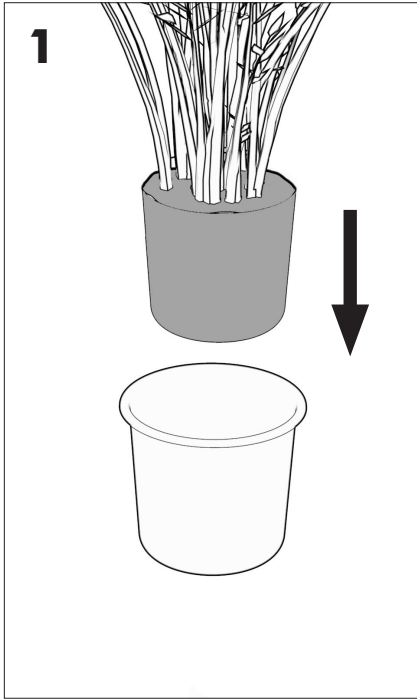


90

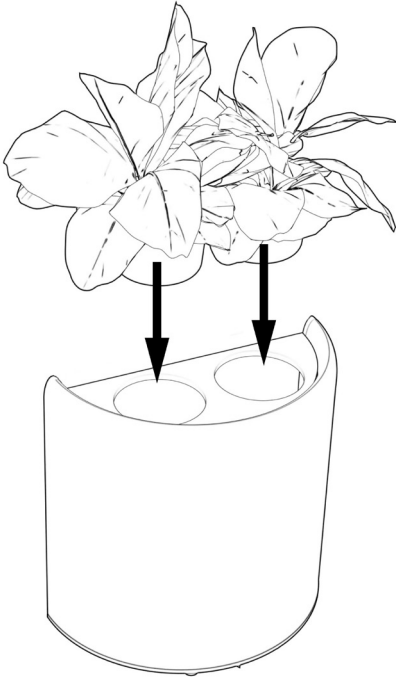


90 Half

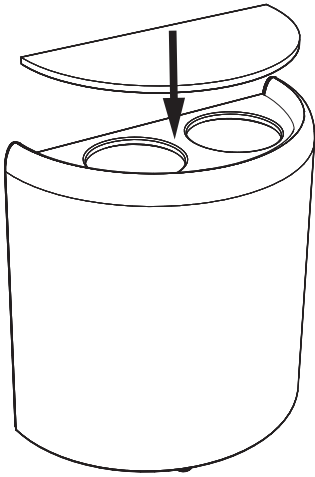
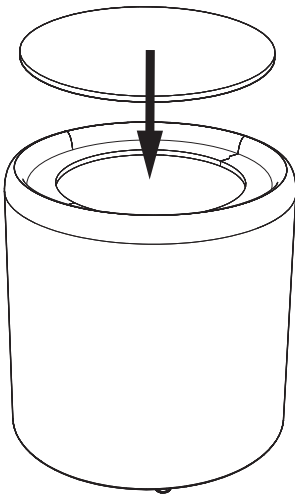


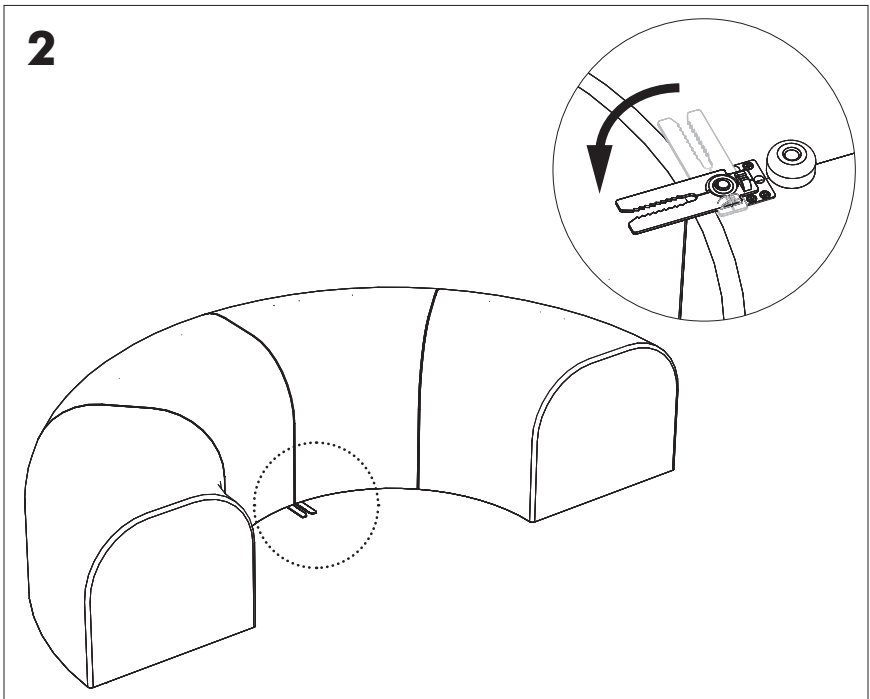
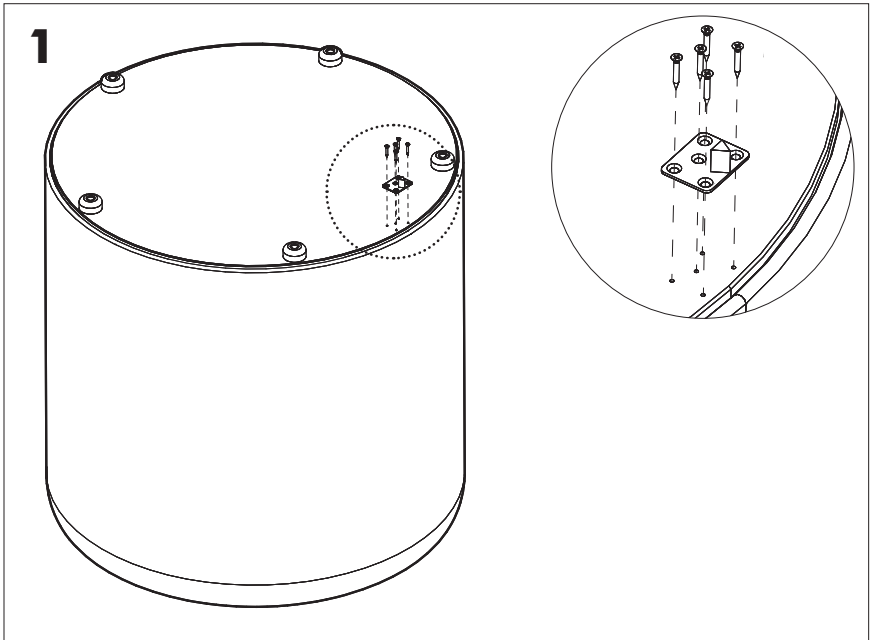


1

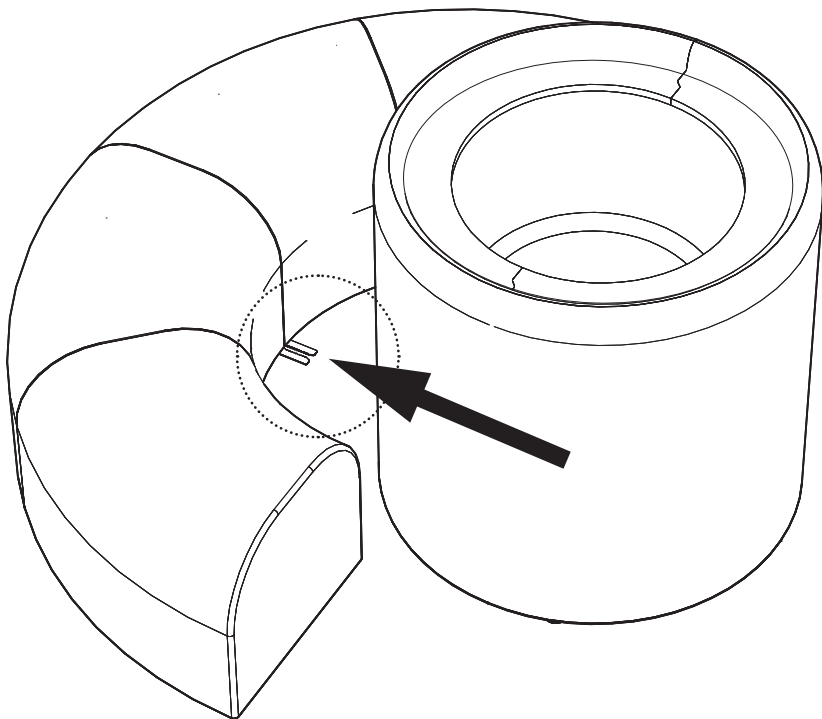
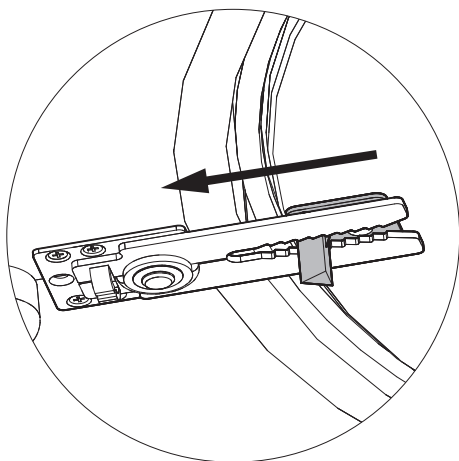


Optional: Tablet for BuzziPlanter 90 | 90 Half

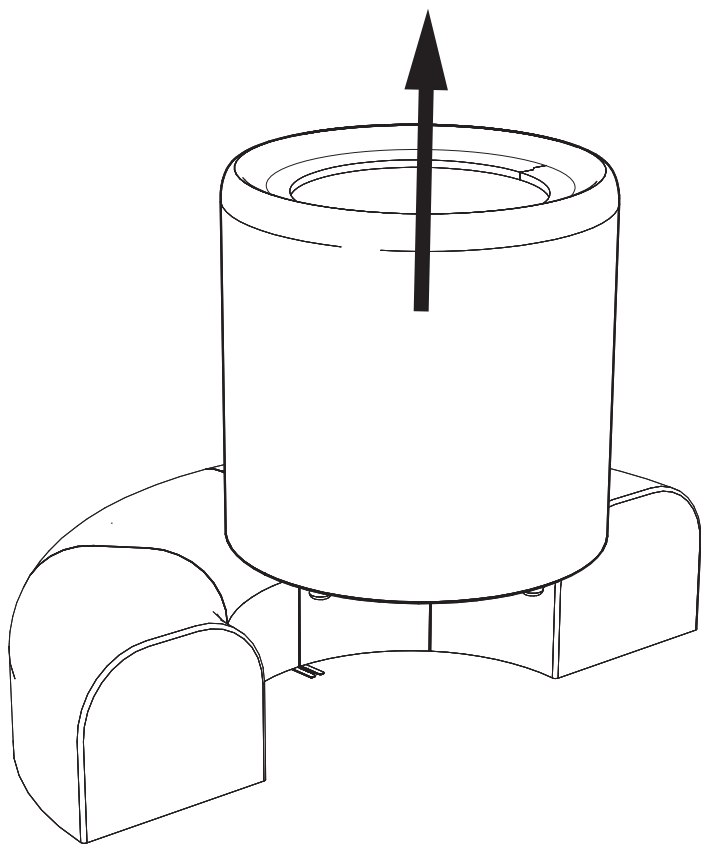




3



! Disconnecting BuzziPlanter 90 | 90 Half



BuzziSpace Group NV
Italiëlei 8, 2000 Antwerp
Belgium

☎ +32 (0)3 846 10 00

✉ info@buzzi.space

🌐 www.buzzi.space



Doc nr.: A-0000007167/02

Last update: 30/01/2024