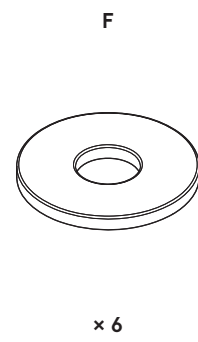
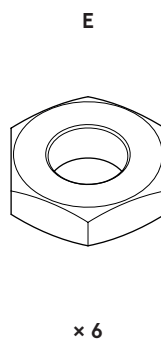
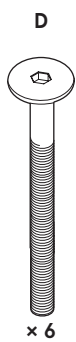
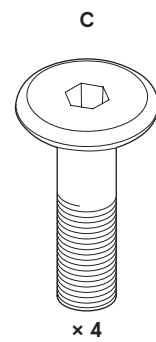
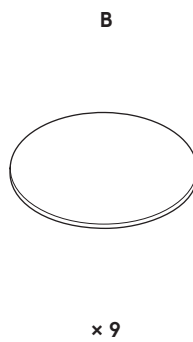
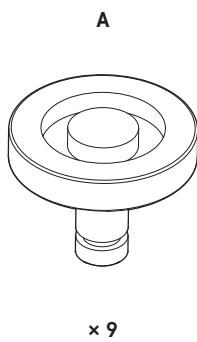
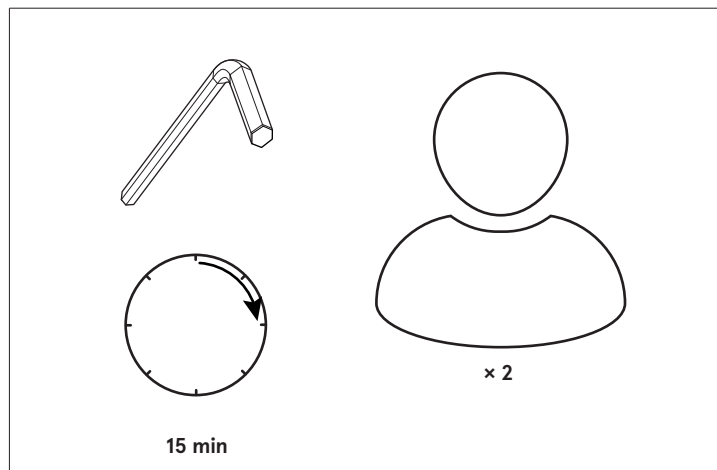
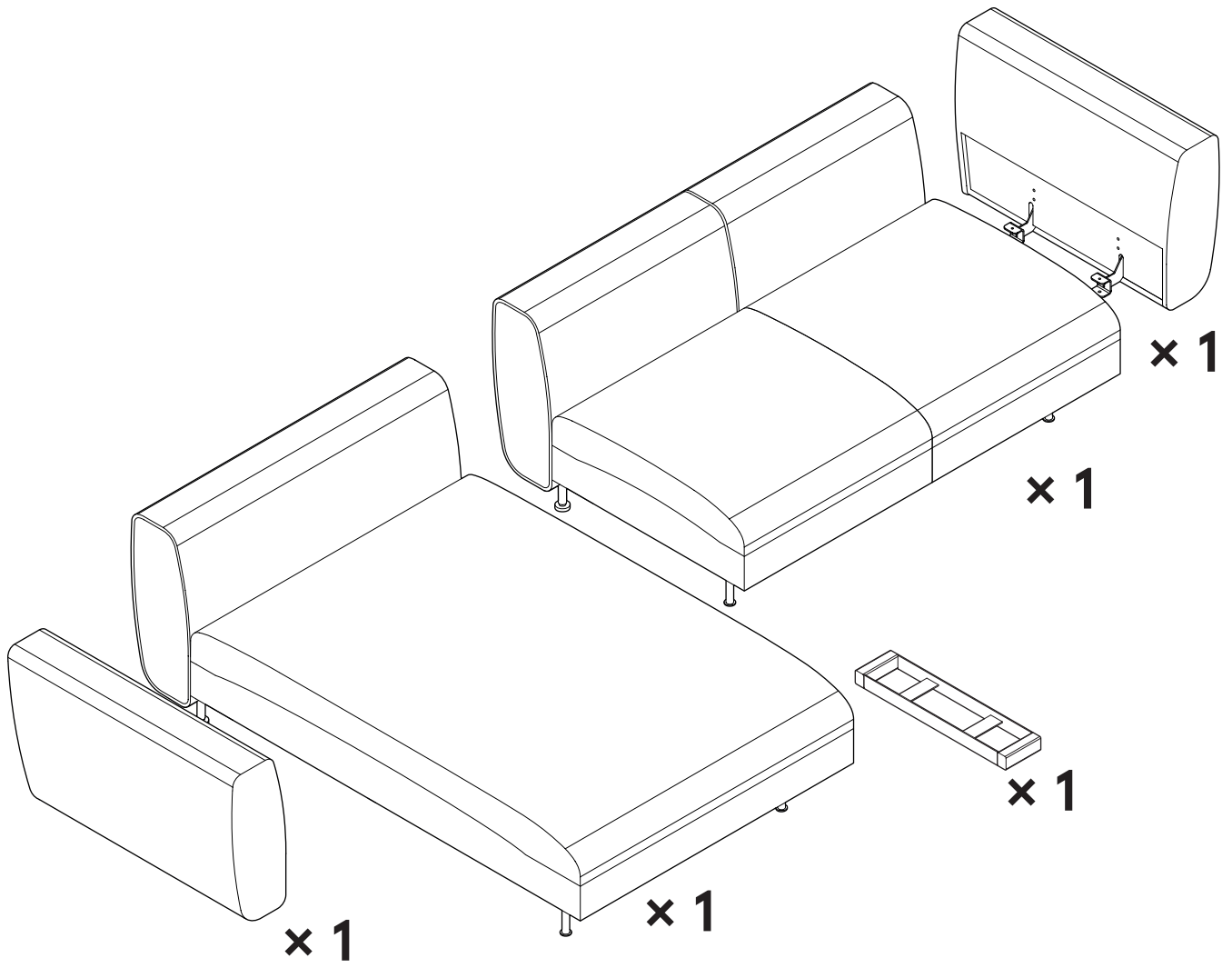
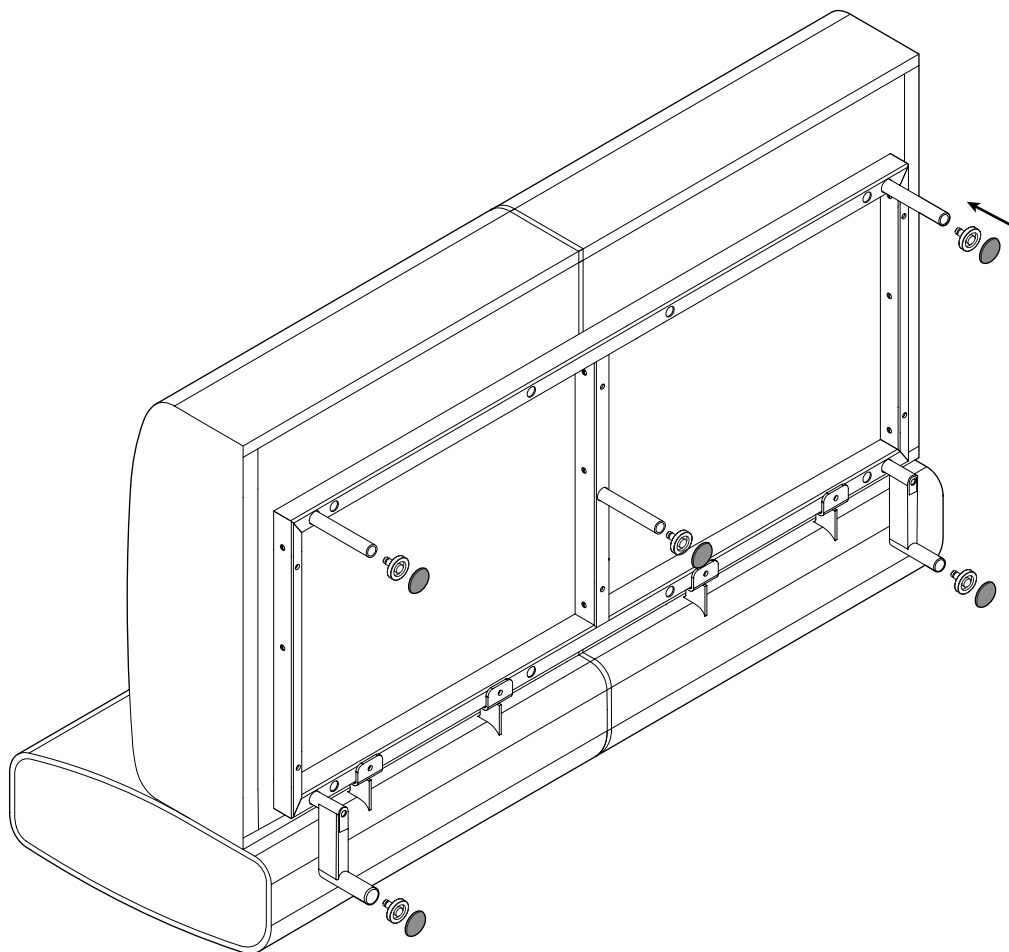
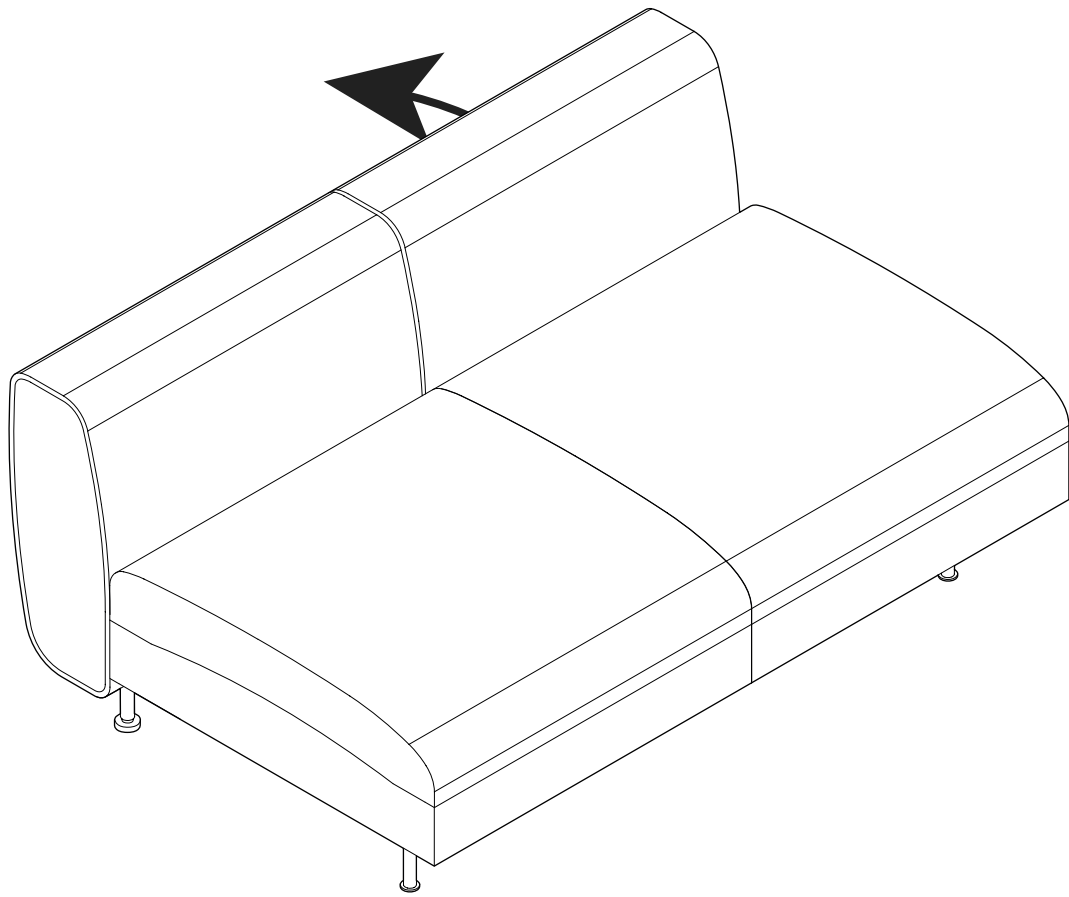
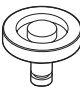



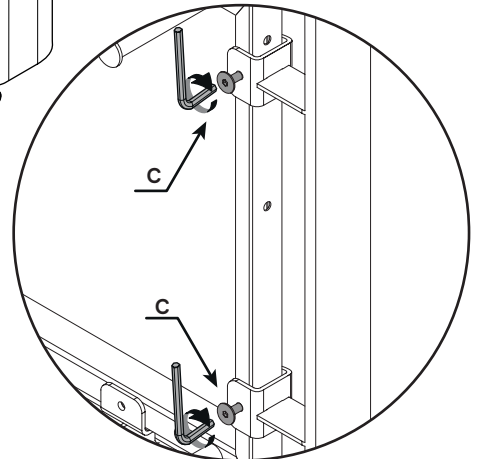
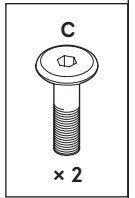
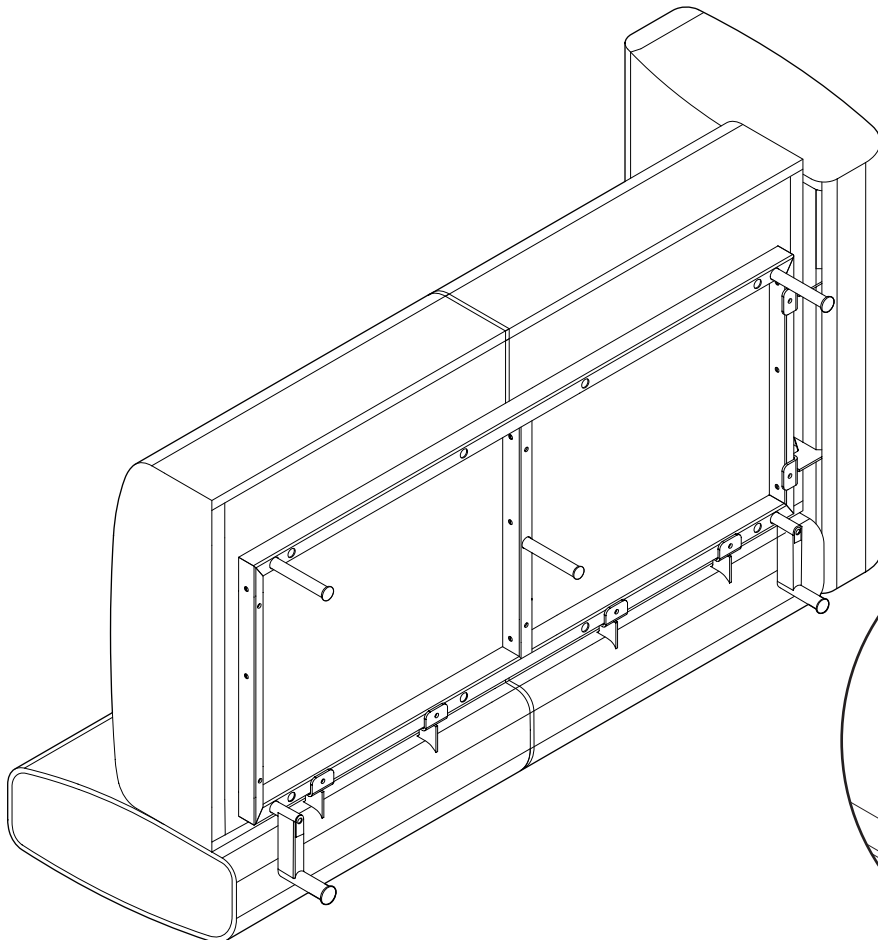
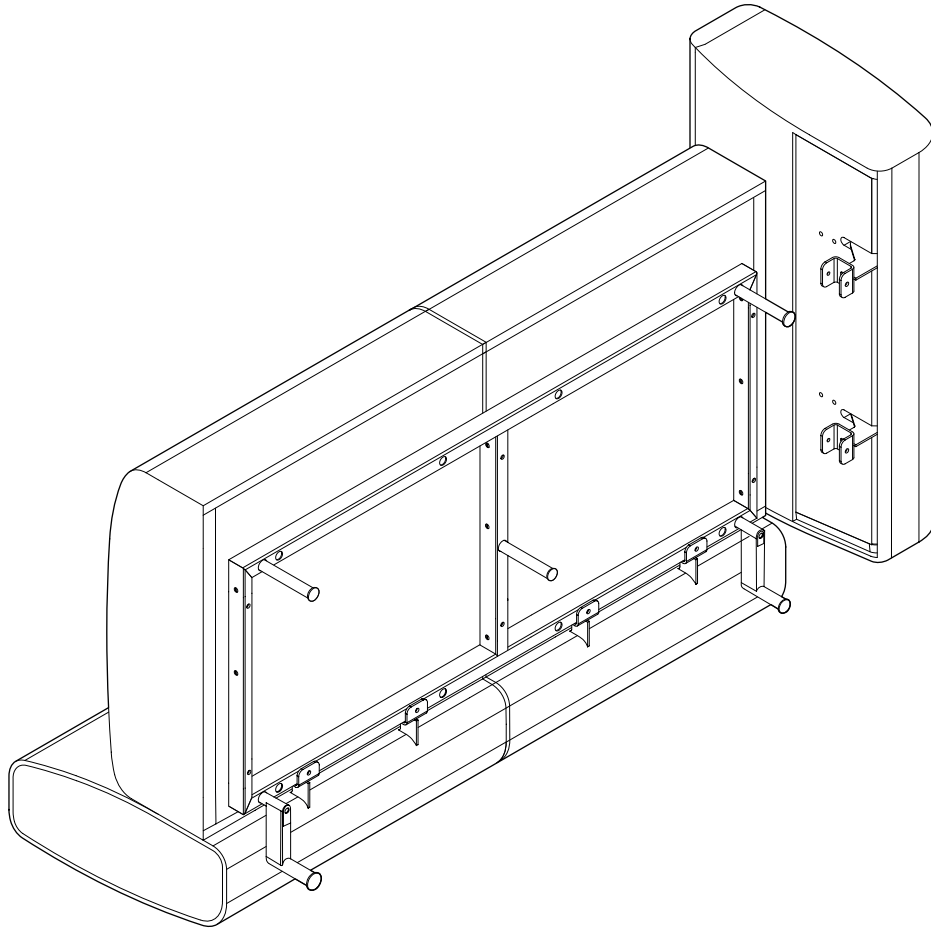
components

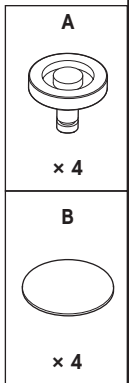
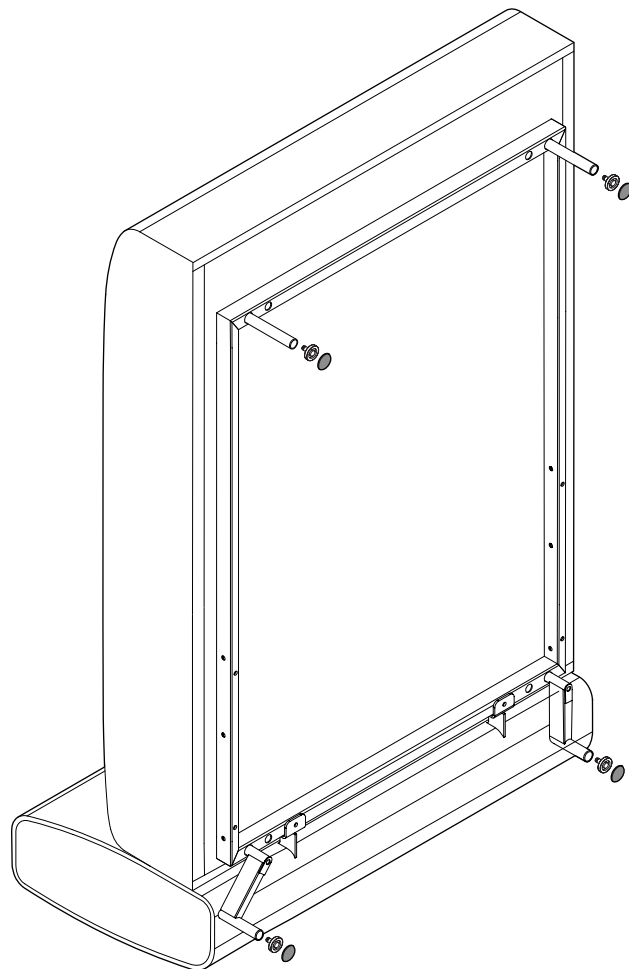
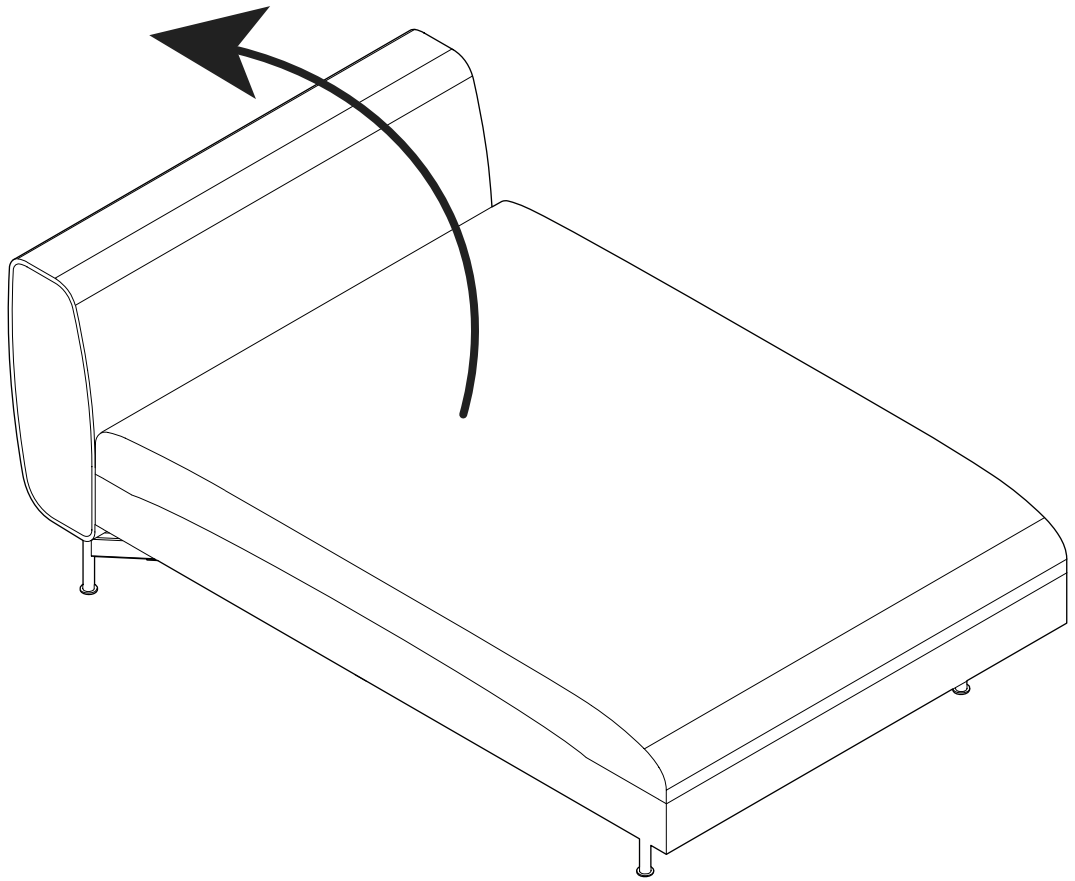


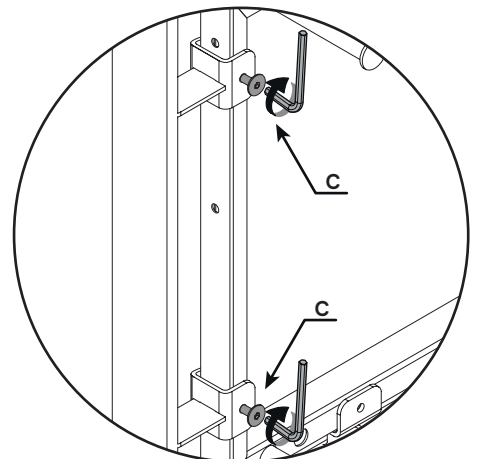
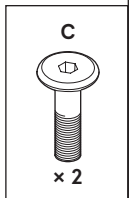
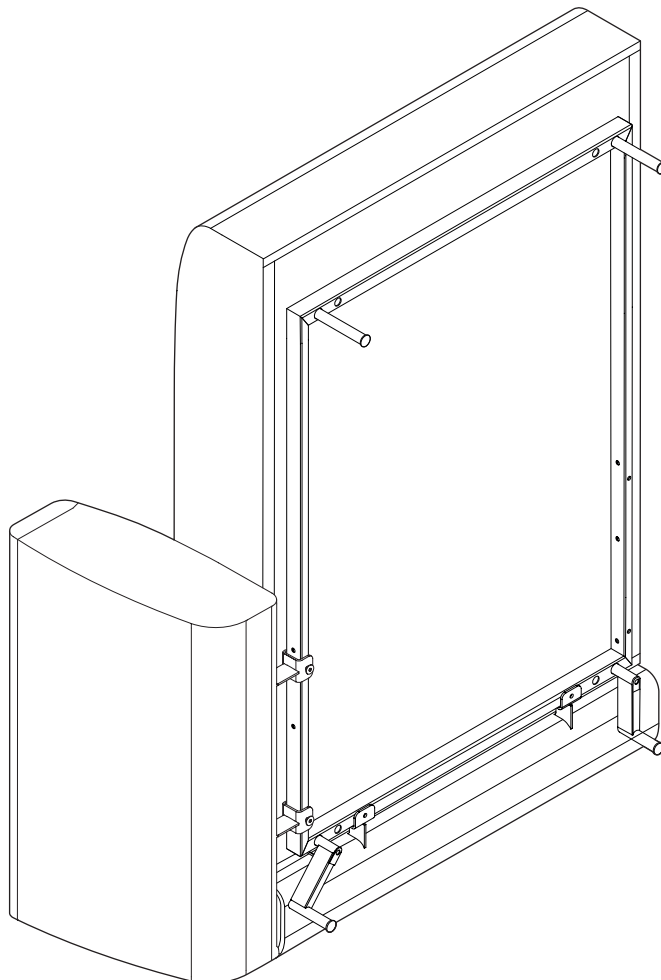
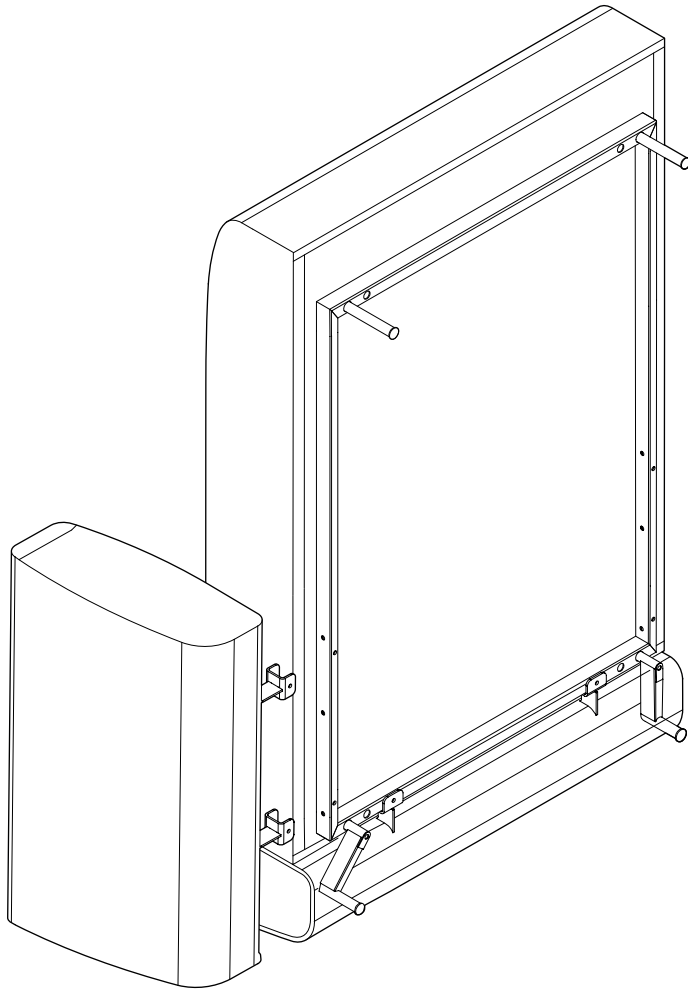


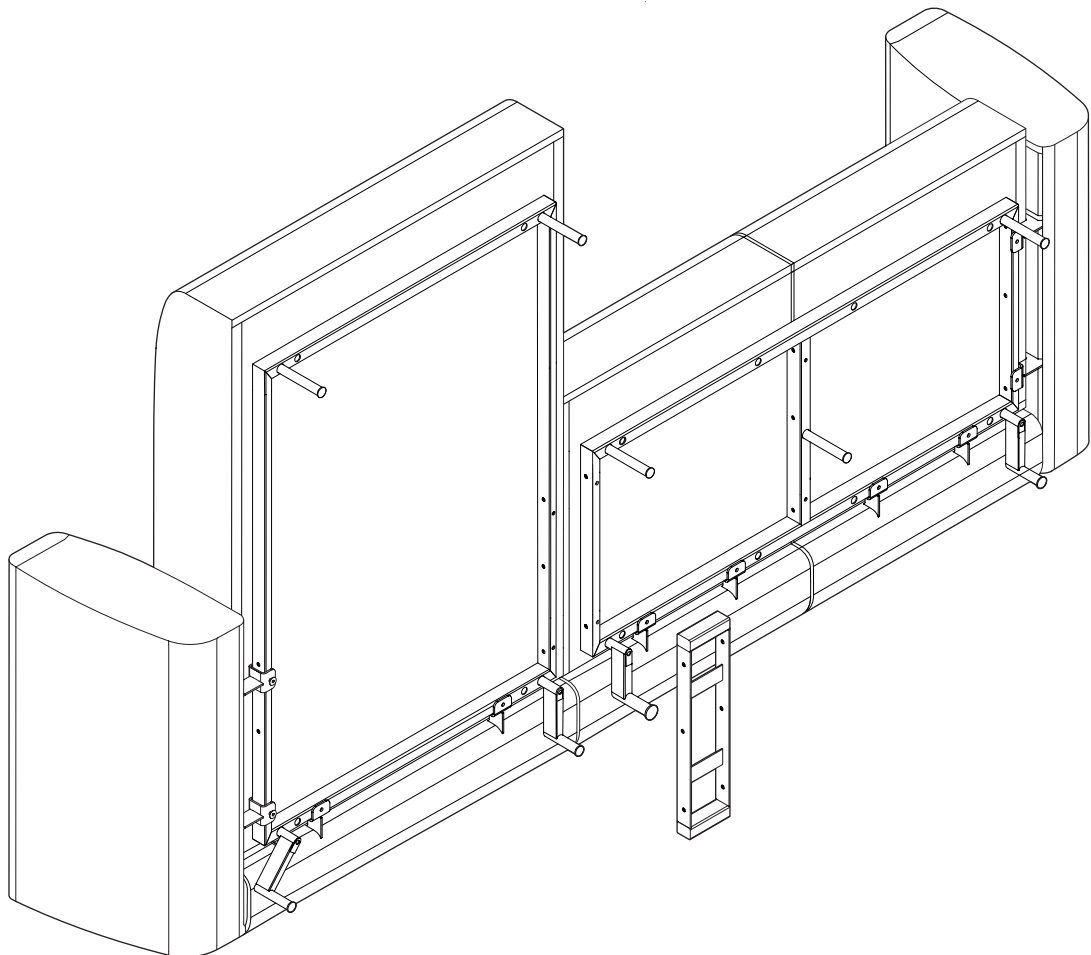
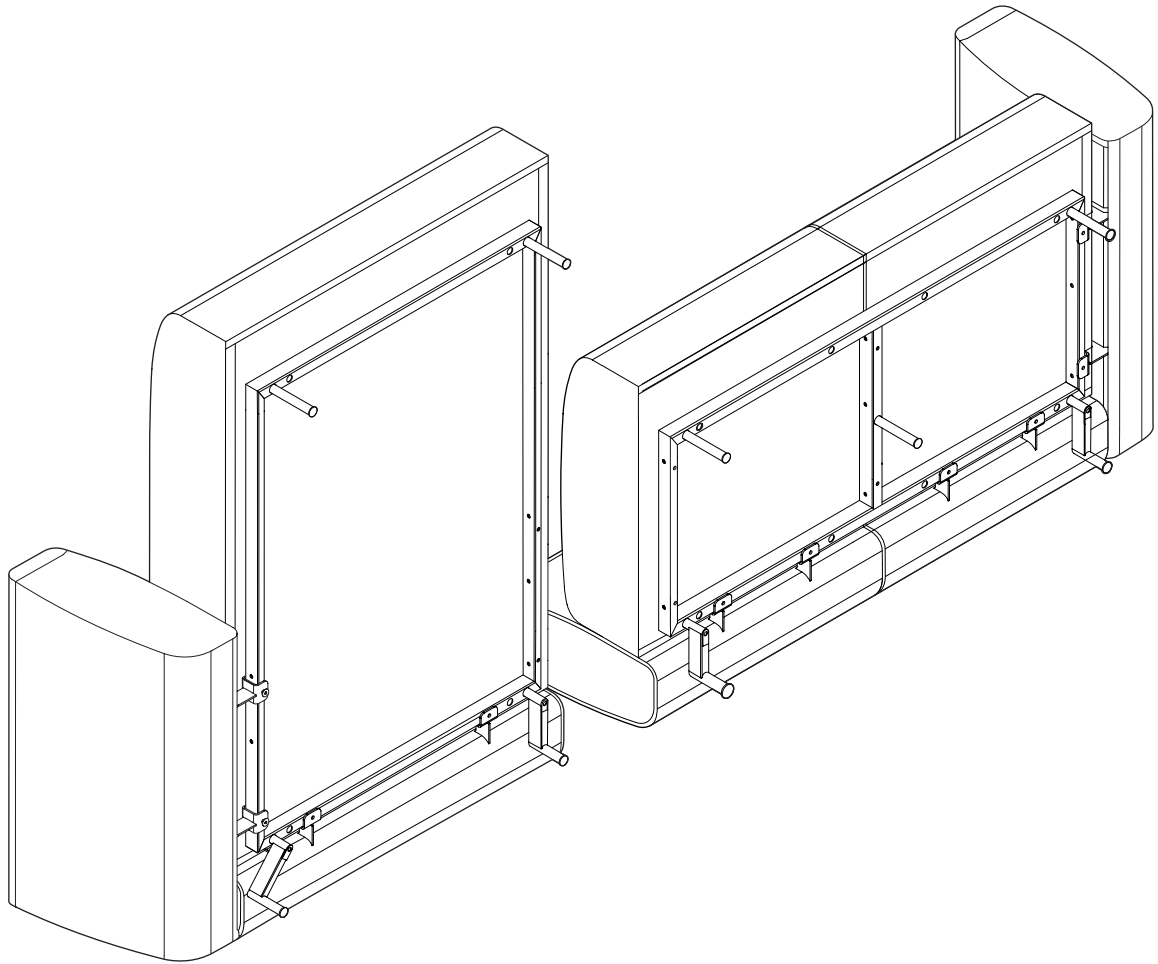


- | |
|---|
| A |
|  |
| × 5 |
| B |
|  |
| × 5 |



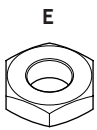




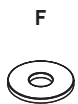




× 6



× 6



× 6

