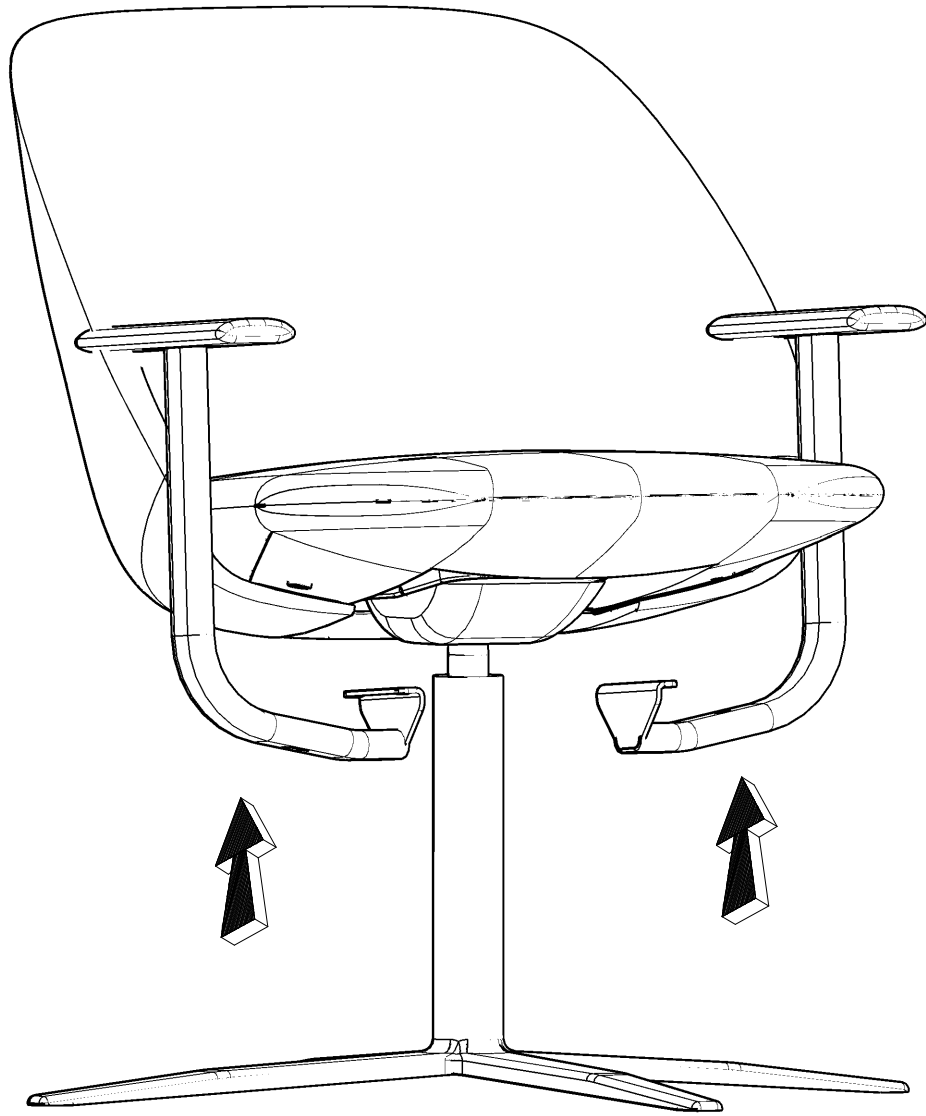




PR1P21

A



B

