
BuzziPlanter

Product Specification Sheet

This document contains technical information about the BuzziPlanter

·BUZZI
SPACE

www.buzzi.space








BuzziPlanter divides open spaces into green, silent microenvironments.

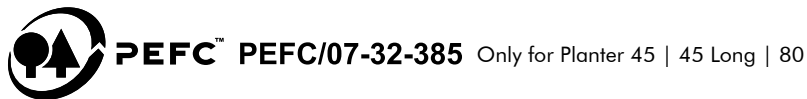
Designed with both functionality and style in mind, BuzziPlanter is a perfect fusion of a planter and an acoustic element. Built with a thick layer of high-density foam and finished with a layer of upholstered fabric, BuzziPlanter helps absorb excessive sound, thus creating calm, peaceful areas to sit, gather, work and relax. The pots have a built-in plastic container, allowing them to accommodate a diverse range of plant species to enhance the visual and auditory experiences within any space.

Design by BuzziSpace Studio

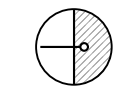
General

-  BuzziPlanter 45 | 45 Long | 80 | 90 | 90 Half | Hanging
-  Filling: Acoustic foam + Plywood, MDF
-  Dry use
-  Free standing | Ceiling suspended or wall mounted for Planter Hanging
-  Upholstered tablet for BuzziPlanter 90 or 90 Half

Certifications



Acoustics



Absorption



Diffusion



Low tone



Mid tone



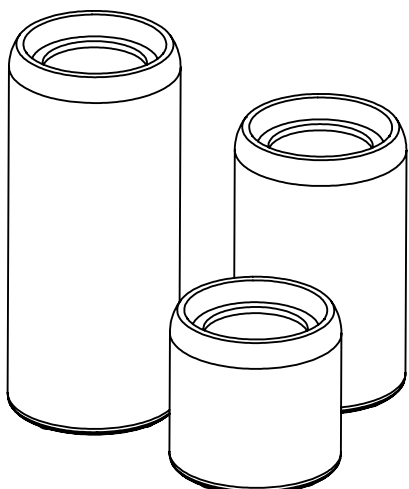
High tone

Content

| | |
|----------------|----|
| Configurations | 3 |
| Components | 4 |
| Fabrics | 5 |
| Dimensions | 8 |
| Acoustics | 11 |

Configurations

BuzziPlanter 45



📏 S | M | L

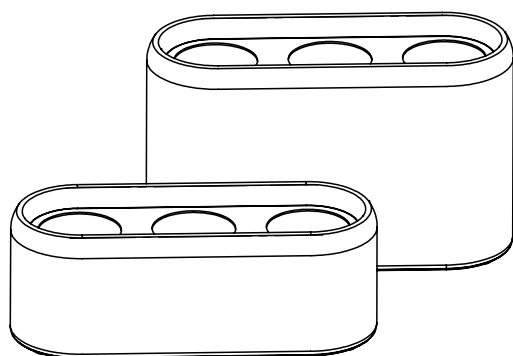
🌲 Filling: Acoustic foam + Plywood, MDF
Baseplate: Black MDF with plastic Feet

S: Height 47 cm Width 45 cm
 Height 18.50" Width 17.72"
M: Height 77 cm Width 45 cm
 Height 30.31" Width 17.72"
L: Height 107 cm Width 45 cm
 Height 42.13" Width 17.72"

⚖️ S: 7,5 kg | 16.53 lbs
 M: 11 kg | 24.25 lbs
 L: 12 kg | 26.46 lbs

... Fabric, Trevira CS+ | CS, Clara 2, Remix 3, Hero 2, Tonus 4, Memory 2

BuzziPlanter 45 Long



📏 S | M

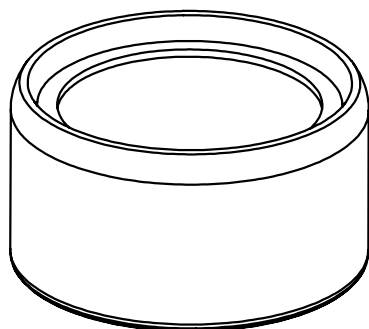
🌲 Filling: Acoustic foam + Plywood, MDF
Baseplate: Black MDF with plastic Feet

S: Height 47 cm Width 120 cm Depth 45 cm
 Height 18.50" Width 47.24" Depth 17.72"
M: Height 77 cm Width 120 cm Depth 45cm
 Height 30.31" Width 47.24" Depth 17.72"

⚖️ S: 19,5 kg | 42.99 lbs
 M: 28,5 kg | 62.83 lbs

... Fabric, Trevira CS+ | CS, Clara 2, Remix 3, Hero 2, Tonus 4, Memory 2

BuzziPlanter 80



📏 S

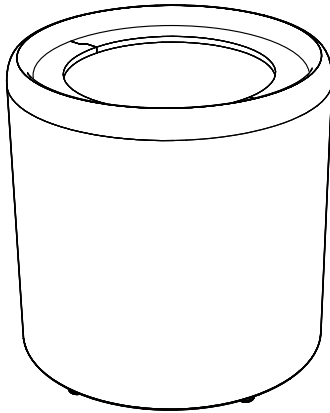
🌲 Filling: Acoustic foam + Plywood, MDF
Baseplate: Black MDF with plastic Feet

S: Height 47 cm Width 80 cm
 Height 18.50" Width 31.50"

⚖️ S: 15,5 kg | 34.17 lbs

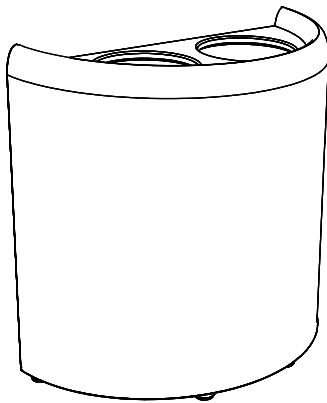
... Fabric, Trevira CS+ | CS, Clara 2, Remix 3, Hero 2, Tonus 4, Memory 2

BuzziPlanter 90



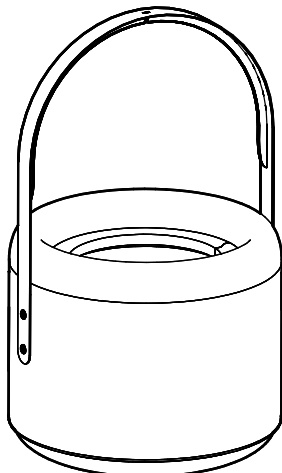
- 🌲 Filling: Acoustic foam + Plywood, MDF
Baseplate: Black MDF with plastic Feet
- ✂ Height 90 cm Width 90 cm
Height 35.43" Width 35.43"
- ⚖ 30,5 kg | 67.24 lbs
- ... Fabric, Trevira CS+ | CS, Clara 2, Remix 3, Hero 2, Tonus 4, Memory 2
Optional: Upholstered tablet

BuzziPlanter 90 Half



- 🌲 Filling: Acoustic foam + Plywood, MDF
Baseplate: Black MDF with plastic Feet
- ✂ Height 90 cm Width 90 cm Depth 45 cm
Height 35.43" Width 35.43" Depth 17.72"
- ⚖ 23,8 kg | 52.47 lbs
- ... Fabric, Trevira CS+ | CS, Clara 2, Remix 3, Hero 2, Tonus 4, Memory 2
Optional: Upholstered tablet

BuzziPlanter Hanging



- 🌲 Filling: acoustic foam + Plywood
Upholstered bottom
- ✂ Height: 39cm Width 46cm
 15.35" Width 8.11"
Height incl. handle: 76cm | 29.92"
- ⚖ 6,65kg | 14,66 lbs
Handle only: 1,2kg | 2,64 lbs
Wall fix: 0,5kg | 1,1 lbs
- ... Fabric, Trevira CS+ | CS, Clara 2, Remix 3, Hero 2, Tonus 4, Memory 2
Optional: Wall Mounted
Extra handle on bottom side to connect 2 Planters Hanging
- ⚠ If installing on suspended ceiling, verify load capacity prior to installation. Max load capacity 25kg | 55.12 lbs /Planter.

Components

Bottom

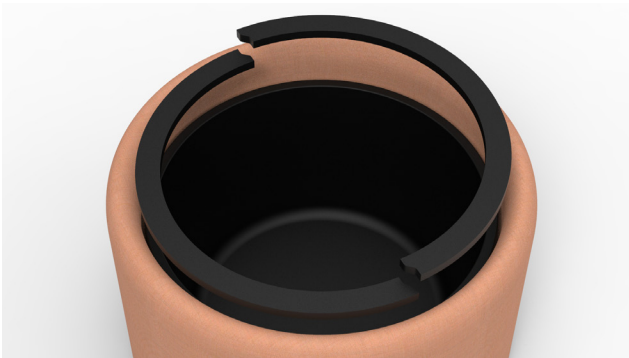


Bottom: Black MDF with plastic Feet

45: 4 plastic feet
45 Long: 5 plastic feet
80: 4 plastic feet
90: 5 plastic feet
90 half: 5 plastic feet

Bottom Planter Hanging: Upholstered

Ring



Black MDF ring made out of 2 interlocking parts
(1 part for 90 Half)

Container



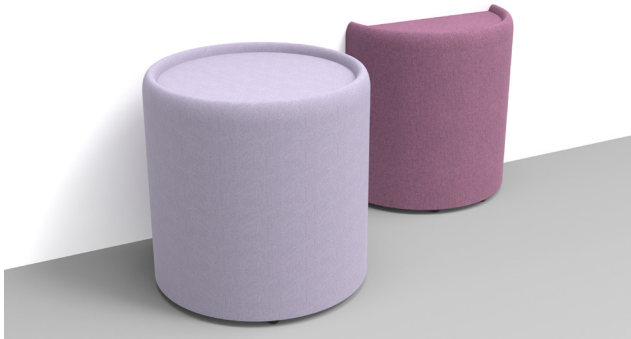
Black Plastic Container

45, hanging: 1x 12L Container
45 Long: 3x 12L Containers
80 and 90: 1x 90L Container
90 half: 2x 12L Containers

12L Container:
Width Ø 31,5 cm Height 23 cm
Width Ø 12.40" Height 9.06"

90L Container:
Width Ø 67 cm Height 35 cm
Width Ø 26.38" Height 13.78"

Tablet



Optional upholstered tablet for 90 and 90 half

Handle



Every Planter Hanging has 1 black metal (RAL 9005) handle.
Cable excluded



Wall Mount black metal (RAL 9005)



To link 2x Planter hanging an extra handle is necessary

Inspiration Models

1x BuzziPlanter 90 Half
1x BuzziCee Half



1x BuzziPlanter 90
2x BuzziCee Half

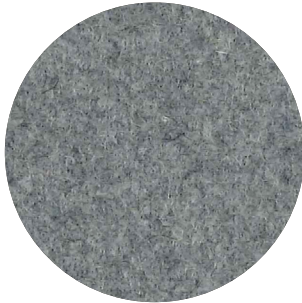


1x BuzziPlanter 90
1x BuzziCee
2x BuzziCee Half



Fabrics

Fabric (45 colors)



Category A

Composition 70% Recycled Wool, 25% Recycled Polyacryl,
5% Recycled Other Fabrics

Weight 405 g/m² | 11.94 oz/yd²

Abrasion resistance 40.000 Martindale, 50,000 Wyzenbeek

Flammability EU: EN 1021.1/2006 | BS EN 1021.1/2006 (cigarette).
EN 1021.2/2006 | BS EN 1021.2/2006 (match)
USA: CAL TB 117 | ASTM E84 CLASS A

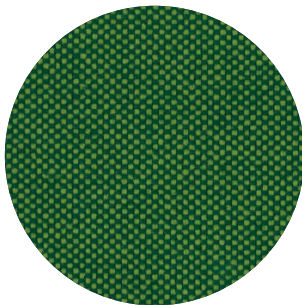
Fastness to light EU: 4 | USA 4

Fastness to rubbing EU: Wet 3-4 | Dry 4-5

Fastness to crocking USA: Wet 5 | Dry 5



Trevira CS+ | CS (47 colors)



Category A

Weight 420 g/m² | 12.39 oz/yd²

Composition 100% Polyester, Trevira CS

Abrasion resistance 100.000 Martindale, 90,000 Wyzenbeek

Flammability BS 5852 part II: CRIB 5 | BS 7176 Medium Hazard
USA: CAL TB 117 | M1 | B1 | EN 1021/1-2 | C1 |
IMO Res. A652 (16)

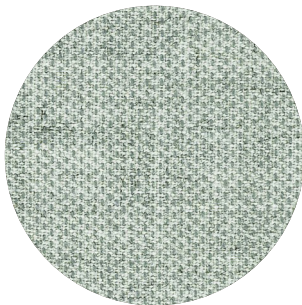
Fastness to light EU: 6 | USA 5

Fastness to rubbing EU: Wet 4-5 | Dry 4-5

Fastness to crocking USA: Wet 5 | Dry 5



Clara 2 (24 colors)



Category B

Composition 92% new wool, 8% nylon

Weight 400 g/lin.m

Abrasion resistance 80.000 Martindale rubs, EN ISO 12947

Flammability EN 1021-1/2 | BS 5852, ignition source 2-3 | DIN 4102 B2
NF D 60 013 | UNI 9175 1IM | US Cal. Tech. Bull. 117, Sec. E
NFPA 260 | IMO A.652(16)

Fastness to light Note 5-7, ISO 105-B02

Fastness to rubbing (ISO) dry 4-5, wet 4

Pilling Note 4, EN ISO 12945



kvadrat

Remix 3 (73 colors)

kvadrat



Category B

Composition 90% new wool, 10% nylon

Weight 415 g/lin.m

Abrasion resistance 100.000 Martindale rubs, EN ISO 12947

Flammability EN 1021-1/2 | BS 5852 part 1

Önorm B1/Q1 | NF D 60 013 | UNI 9175, 1IM

AS/NZS 1530.3 | Cal. Tech. Bull. 117-2013

NFPA 260 | IMO FTP Code 2010:Part 8

Fastness to light Note 5-7, ISO 105-B02

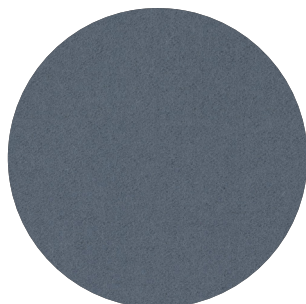
Fastness to rubbing (ISO) dry 4-5, wet 4

Pilling Note 4, EN ISO 12945



Hero 2 (33 colors)

kvadrat



Category C

Composition 97% new wool, 3% nylon

Weight 580 g/lin.m

Abrasion resistance 45.000 Martindale rubs, EN ISO 12947

Flammability EN 1021-1/2 | DIN 4102 B2 | NF D 60 013

UNI 9175 1IM | US Cal. Bull. 117-2013 | NFPA 260

IMO A.652 (16)

Fastness to light Note 5-6, ISO 105-B02

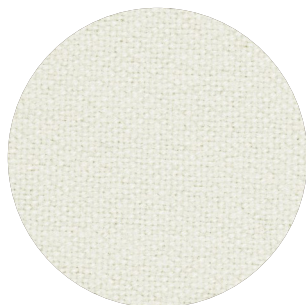
Fastness to rubbing (ISO) dry 4-5, wet 4-5

Pilling Note 3-4, EN ISO 12945



Tonus 4 (47 colors)

kvadrat



Category D

Composition 90% new wool, 10% Helanca

Weight 665 g/lin.m

Abrasion resistance 100.000 Martindale rubs, EN ISO 12947

Flammability EN 1021-1/2 | BS 5852 part 1 | DIN 4102 B2

Önorm B1/Q1 | NF D 60 013 | UNI 9175 1IM

US Cal. Bull. 117-2013 | NFPA 260 | IMO A.652 (16)

Fastness to light Note 5-7, ISO 105-B02

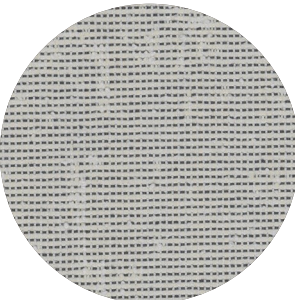
Fastness to rubbing (ISO) dry 3-5, wet 3-5

Pilling Note 3, EN ISO 12945



Memory 2 (20 colors)

kvadrat



Category E

Composition 100% Trevira CS

Weight 700 g/lin.m

Abrasion resistance

35.000 rubs acc. to the Martindale method, EN ISO 12947

Flammability EN 1021-1/2 | DIN 4102 B1 | Önorm B1/Q1
NF D 60 013 | NF P 92 507 M1 | UNI 9175 11M
UNI 9177 classe 1 | US Cal. Tech. Bull. 117
IMO A.652 (16)

Fastness to light Note 5-8, ISO 105-B02

Fastness to rubbing (ISO) dry 4-5, wet 4-5

Pilling Note 4, EN ISO 12945

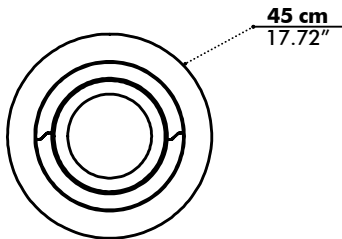


Dimensions

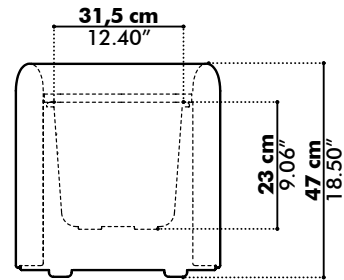
BuzziPlanter 45

Small

Top

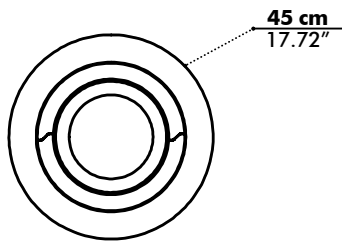


Side

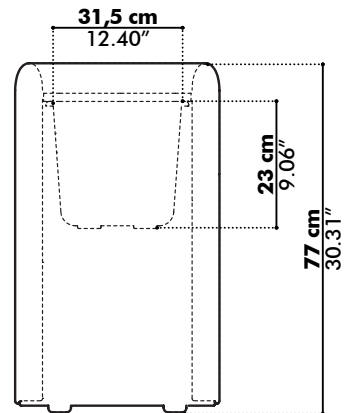


Medium

Top

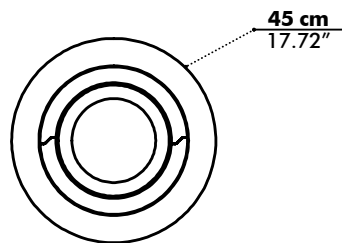


Side

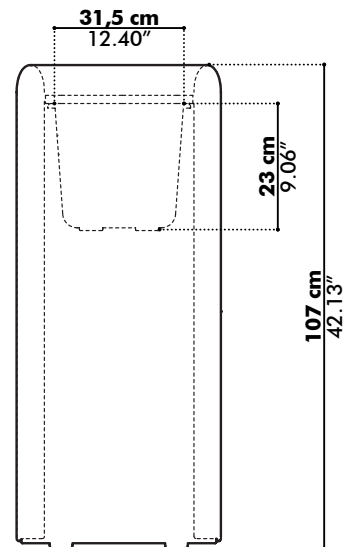


Large

Top



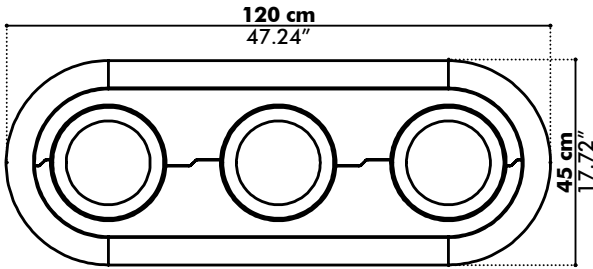
Side



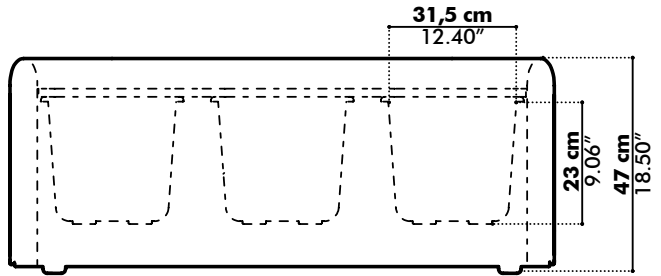
BuzziPlanter 45 Long

Small

Top

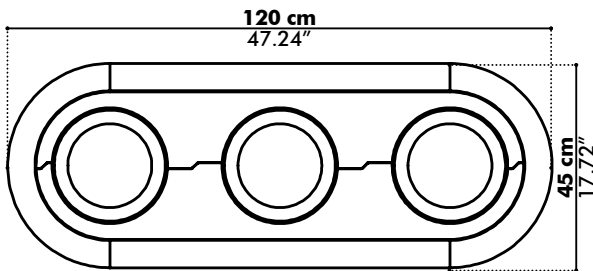


Side

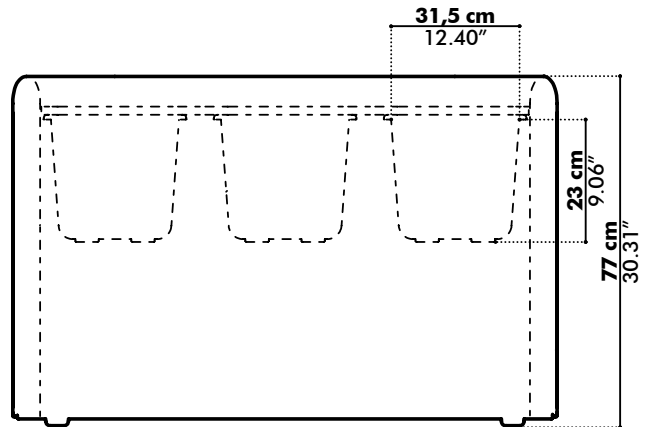


Medium

Top



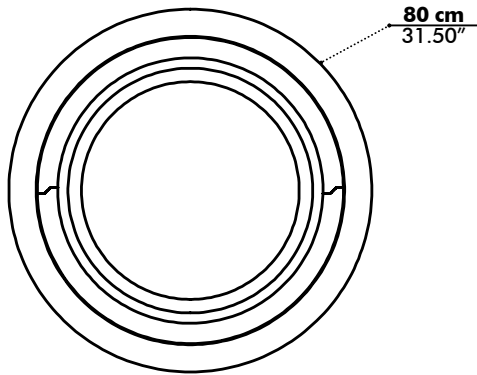
Side



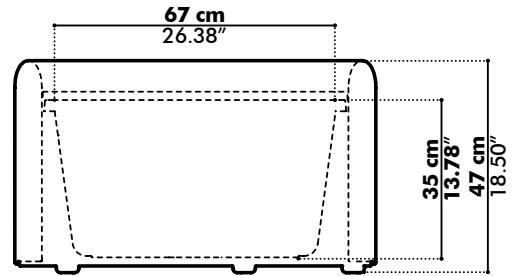
BuzziPlanter 80

Small

Top

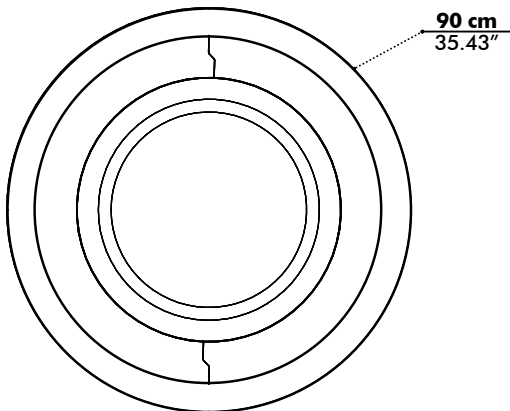


Side

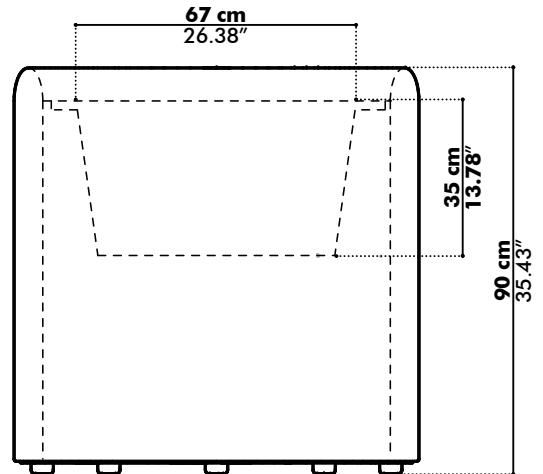


BuzziPlanter 90

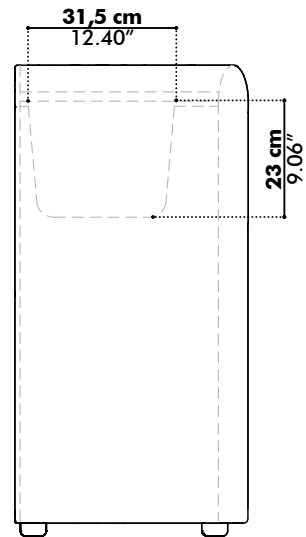
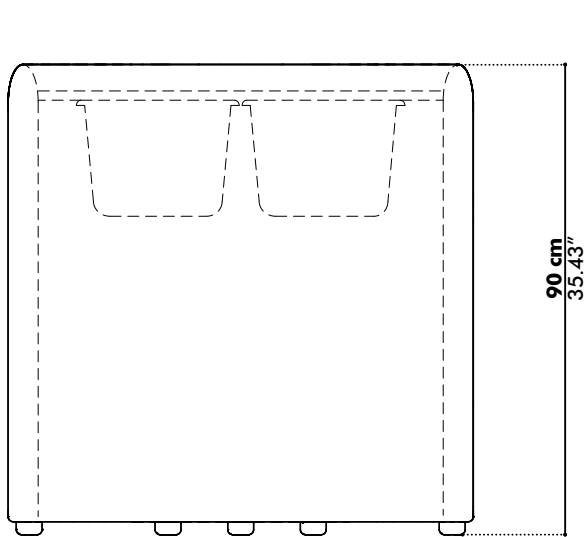
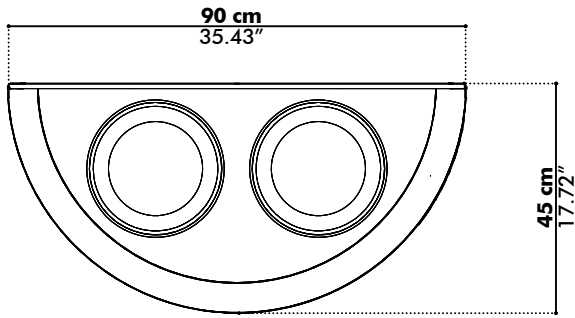
Top



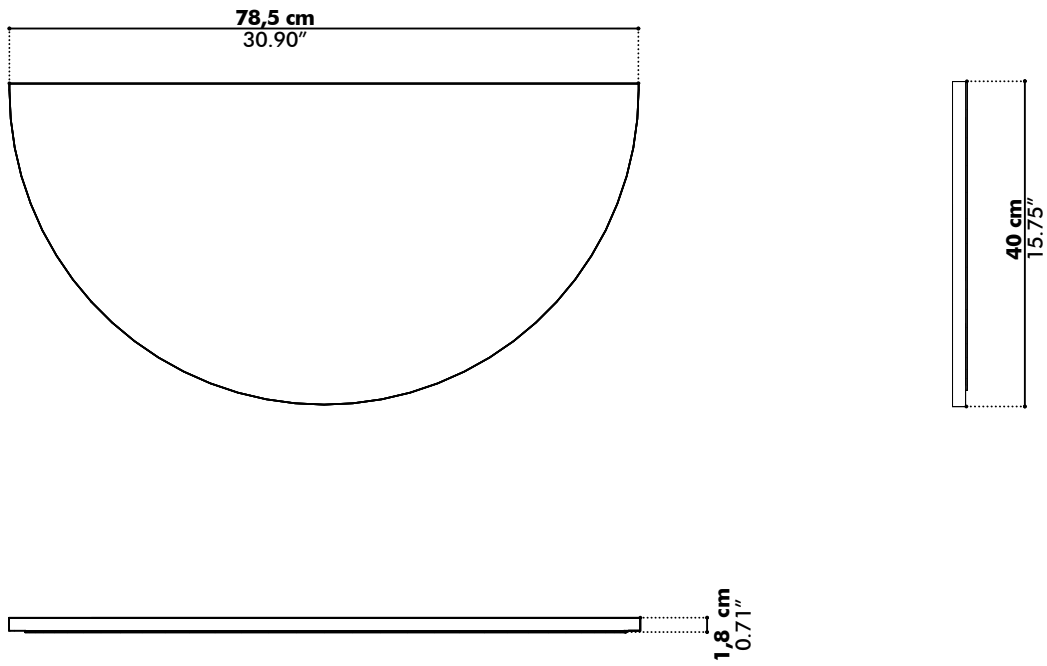
Side



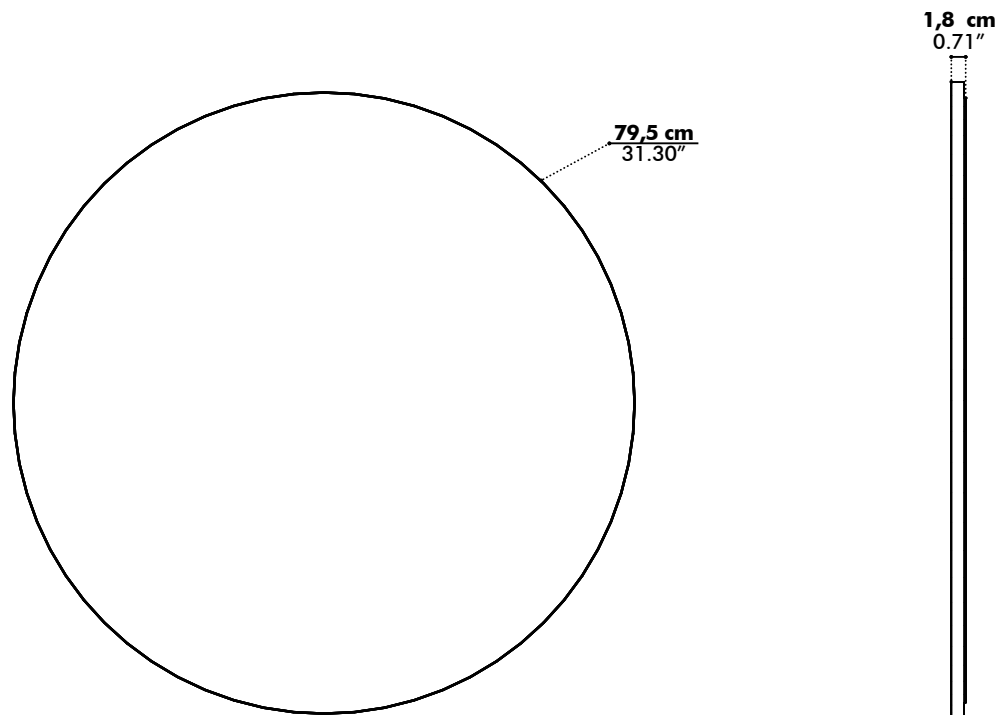
BuzziPlanter 90 Half



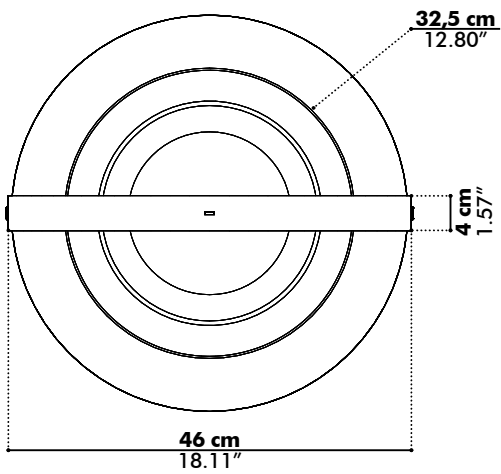
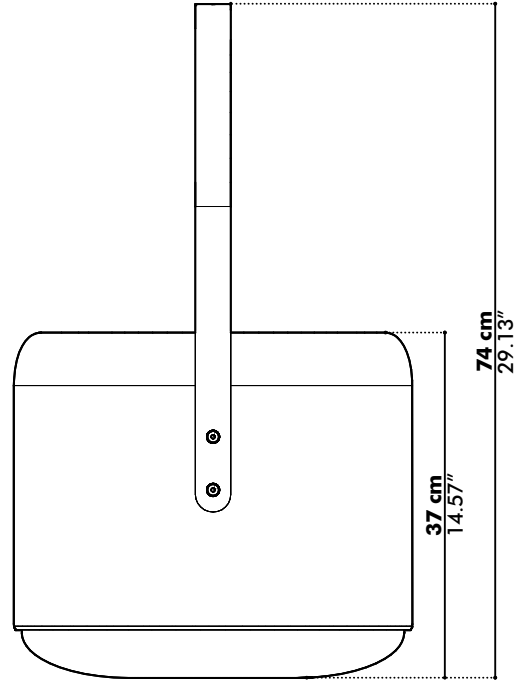
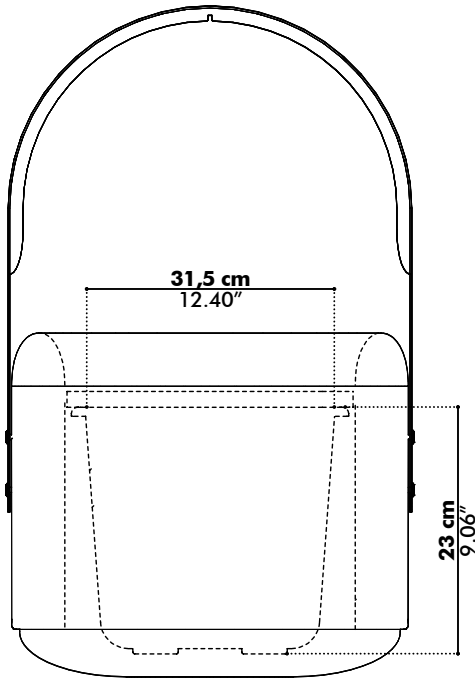
BuzziPlanter 90 Half Tablet



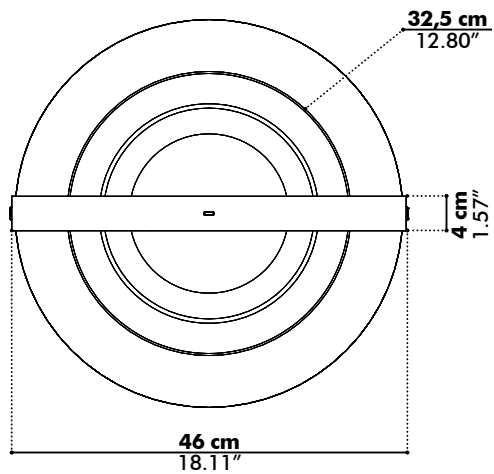
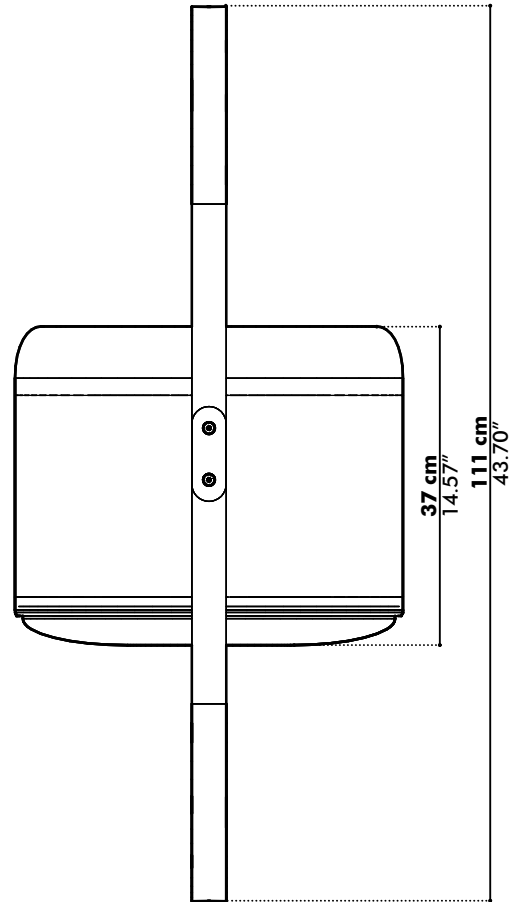
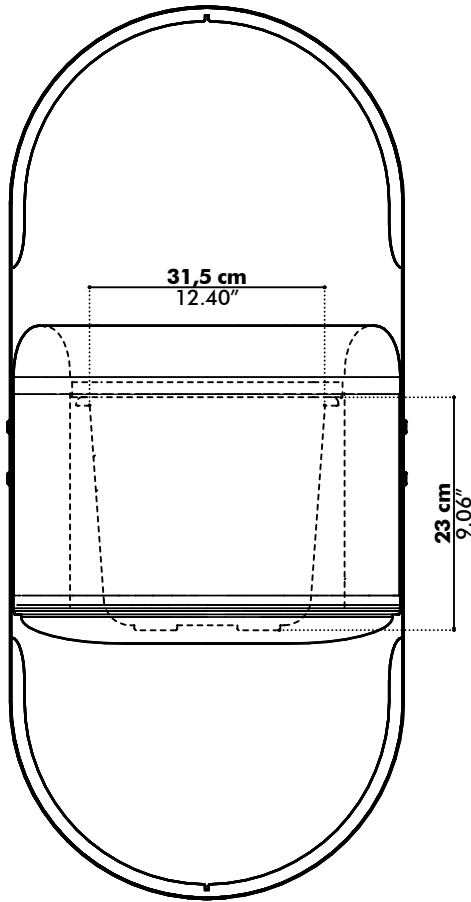
BuzziPlanter 90 Tablet



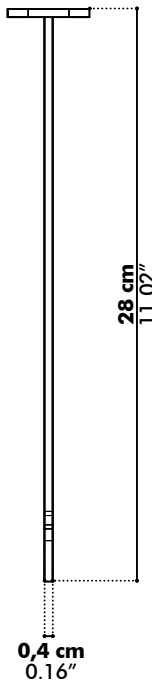
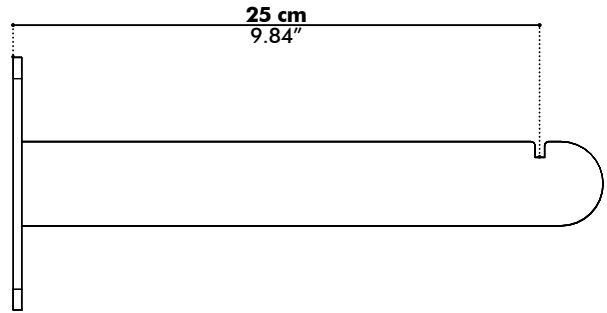
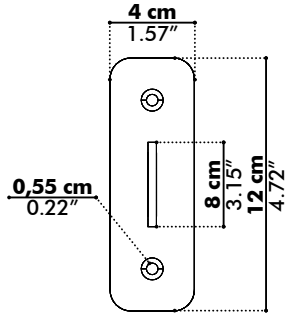
BuzziPlanter Hanging



BuzziPlanter Hanging + Extra Handle



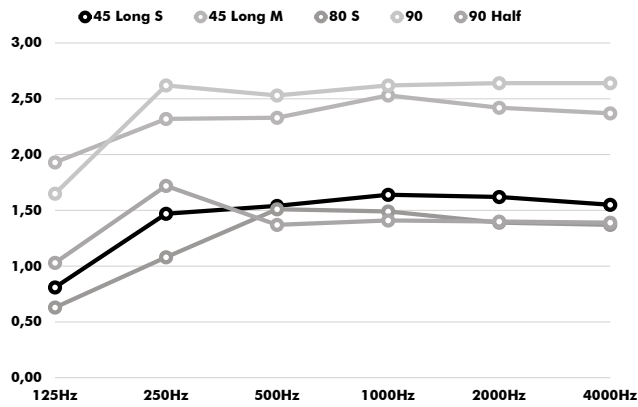
BuzziPlanter Hanging Wall Mount



Acoustics

BuzziPlanter

Equivalent sound absorption area in m² per object



| Hz | 45 Long S Aeq/m ² | 45 Long M Aeq/m ² | 80 S Aeq/m ² | 90 Aeq/m ² | 90 Half Aeq/m ² |
|------|------------------------------|------------------------------|-------------------------|-----------------------|----------------------------|
| 125 | 0.81 | 1.93 | 0.63 | 1.65 | 1.03 |
| 250 | 1.47 | 2.32 | 1.08 | 2.62 | 1.72 |
| 500 | 1.54 | 2.33 | 1.51 | 2.53 | 1.37 |
| 1000 | 1.64 | 2.53 | 1.49 | 2.62 | 1.41 |
| 2000 | 1.62 | 2.42 | 1.39 | 2.64 | 1.40 |
| 4000 | 1.55 | 2.37 | 1.37 | 2.64 | 1.39 |