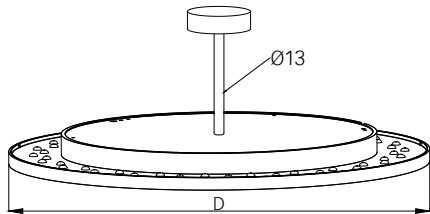


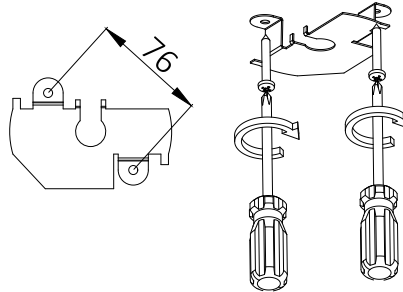
BASIC SUPERFLAT G7/P7 | SUSPENDED TUBE SUSPENSION (D400 - D600)

1. MONTAGE UND INSTALLATION | MOUNTING AND INSTALLATION:

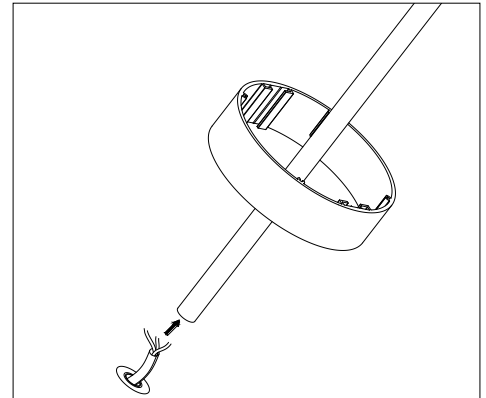
D400 - D600
 TUBE: Ø13



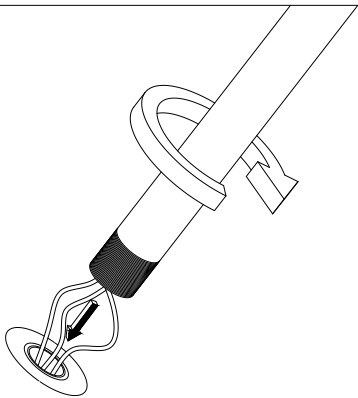
1. Bei allen Montagearbeiten Handschuhe tragen.
 Use gloves when handling the fixture.



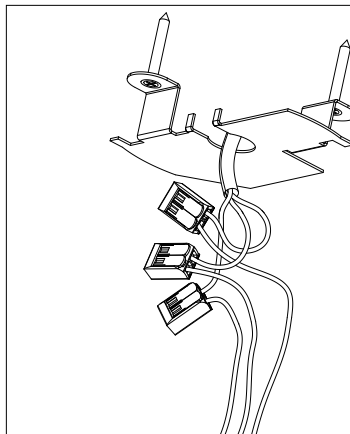
2. Montageöffnungen.
 Installation openings.



3.

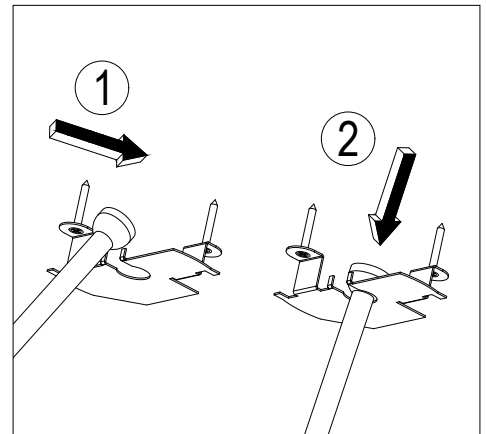


4.

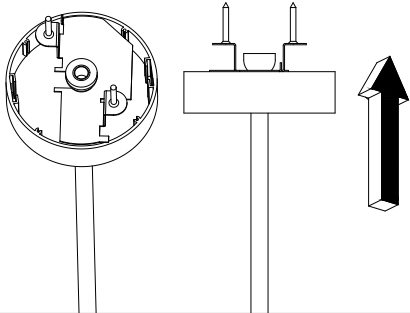


5.

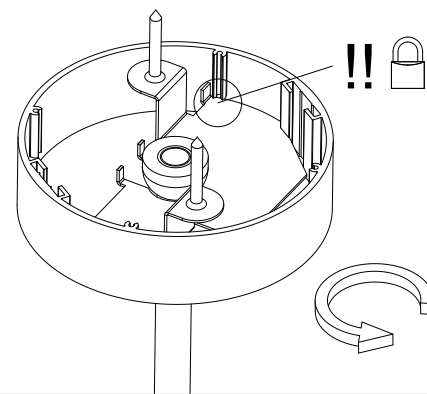
- min/max stripped wire length: 7mm-10mm
 - max power supply cable: 1,5mm²



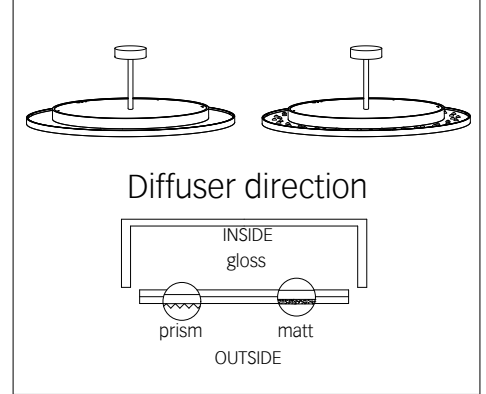
6.



7.



8.

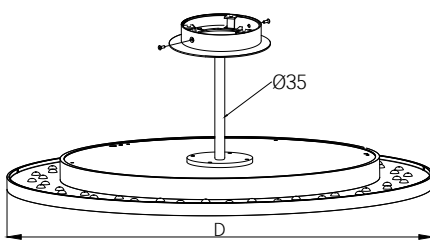


9.


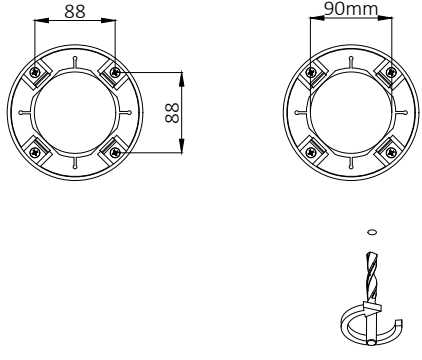
BASIC SUPERFLAT G7/P7 | SUSPENDED TUBE SUSPENSION (D800)

1. MONTAGE UND INSTALLATION | MOUNTING AND INSTALLATION:

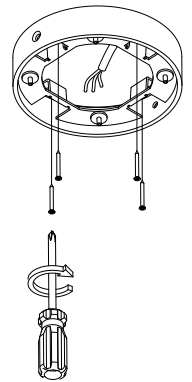
D800
 TUBE: Ø35



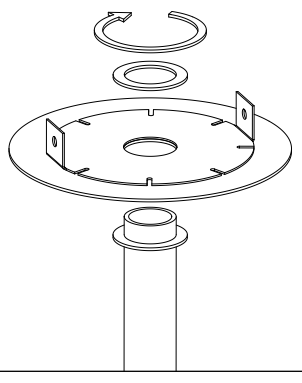
1. Bei allen Montagearbeiten Handschuhe tragen.
 Use gloves when handling the fixture.

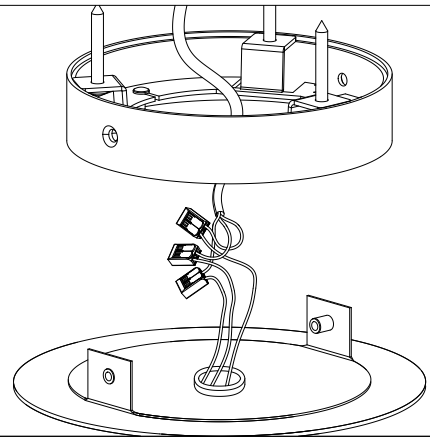
2. Montageöffnungen.
 Installation openings.



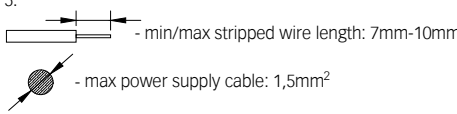
3.



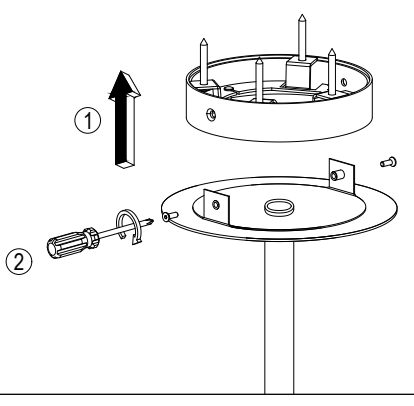
4.



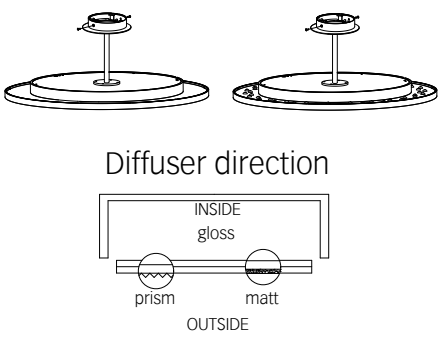
5.



- min/max stripped wire length: 7mm-10mm
 - max power supply cable: 1,5mm²



6.



Diffuser direction

INSIDE
 gloss

prism matt

OUTSIDE

7.