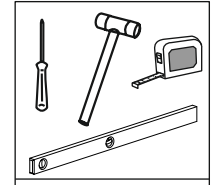
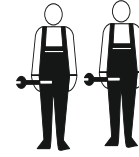
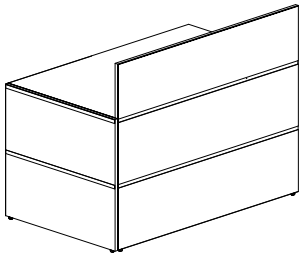
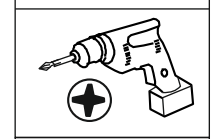


Cortina Theken Serie Milano

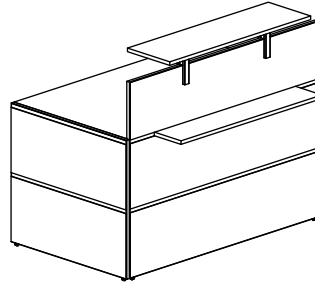
 Ecktheke MA 1561_dr
Corner Counter MA 1561_dr



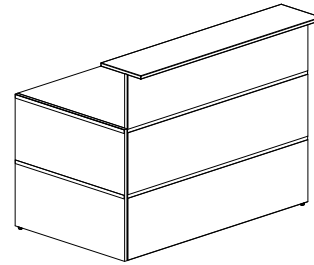
 enthalten/
include



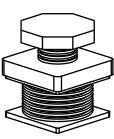

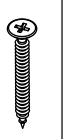
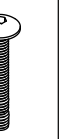

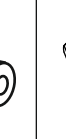
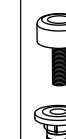
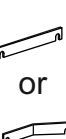
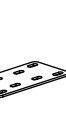



1 - 10

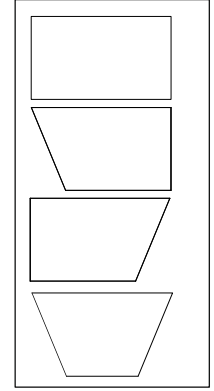


1 - 10 + 11 - 14

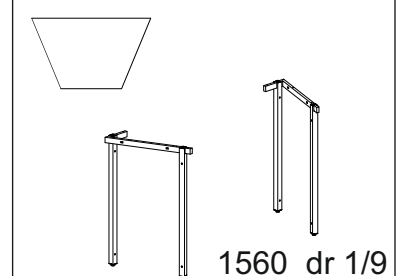
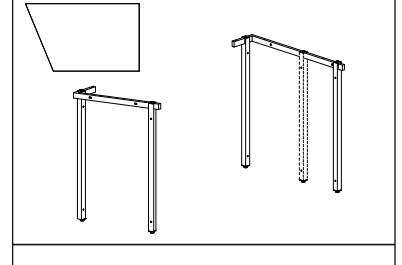
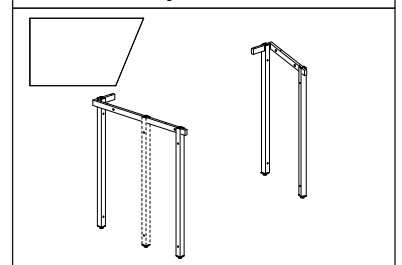
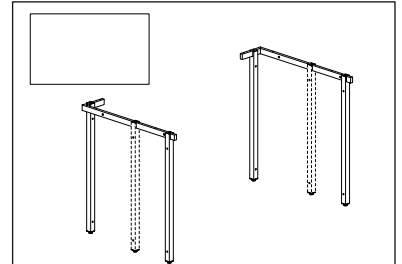
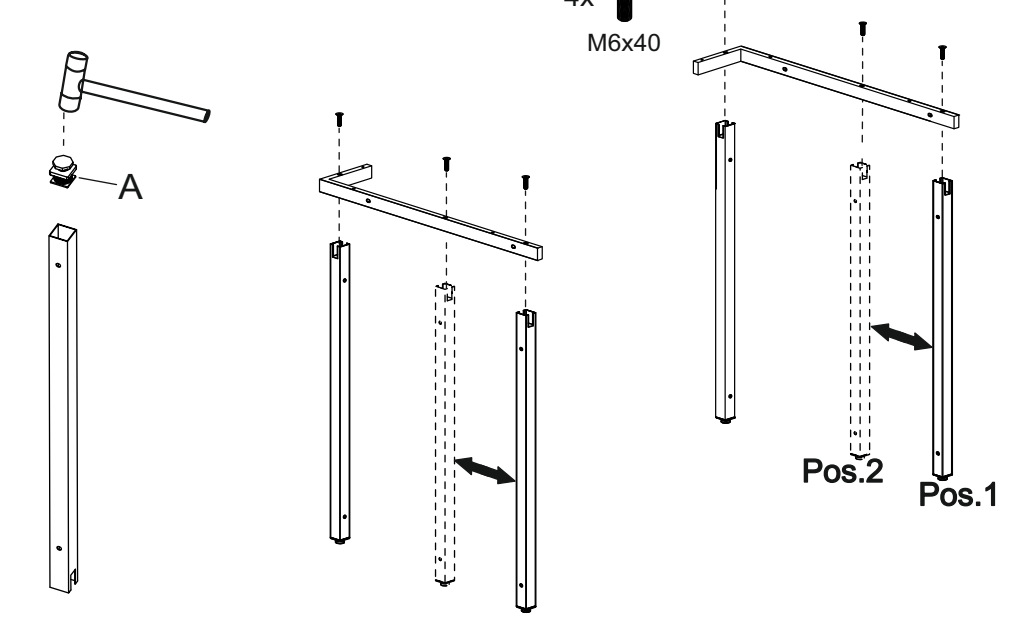


1 - 10 + 15 - 18

| Beschläge für 1 Theke fittings for 1 counter | A | B | C | D | E | F | G | H | I | M | N |
|--|--|--|--|--|--|--|---|--|--|--|---|
|  |  |  |  |  |  |  |  |  |  |  | |
| | M6x40 | 4.5x45 | M6x40 | M6x55 | | M6 | | or | | 4.5x17 | |
|  | 4 | 4 | 6 | 4 | 2 | 4 | 2 | 2 | 1 | 1 | 8 |

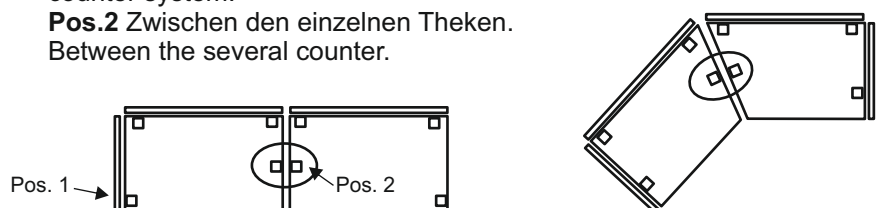


1 4x **2**



Pos.1 In Kombination mit einer Seiten Wange und zu Beginn und Ende einer Thekenanlage.
In Combination with a side panel and at the beginning and end of a counter system.

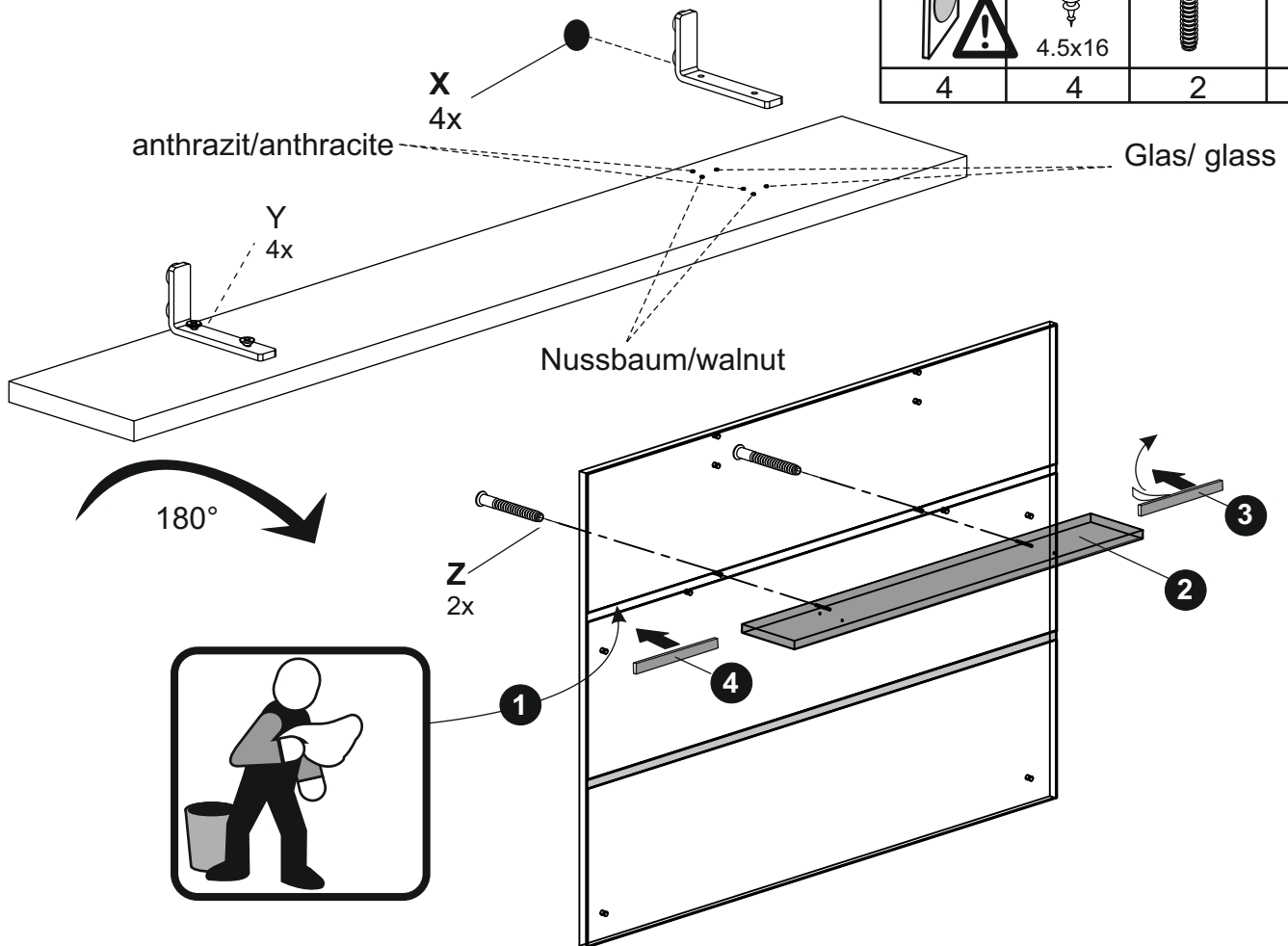
Pos.2 Zwischen den einzelnen Theken.
Between the several counter.



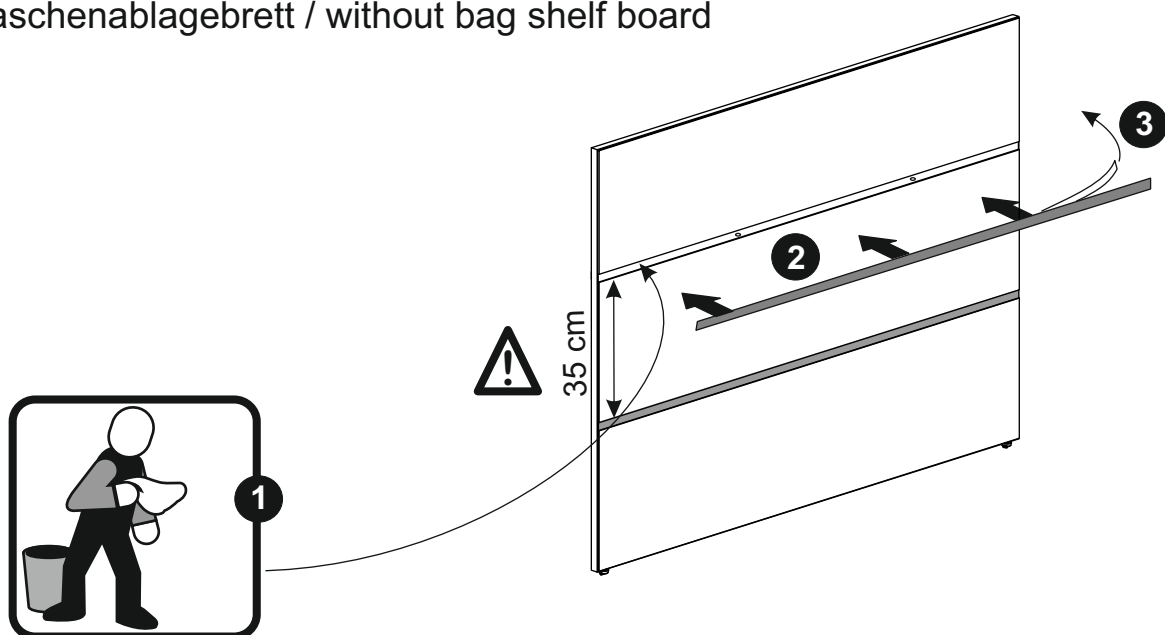
3**Zubehör/accessory/accessoire**

Taschenablagebrett/ bag shelf board

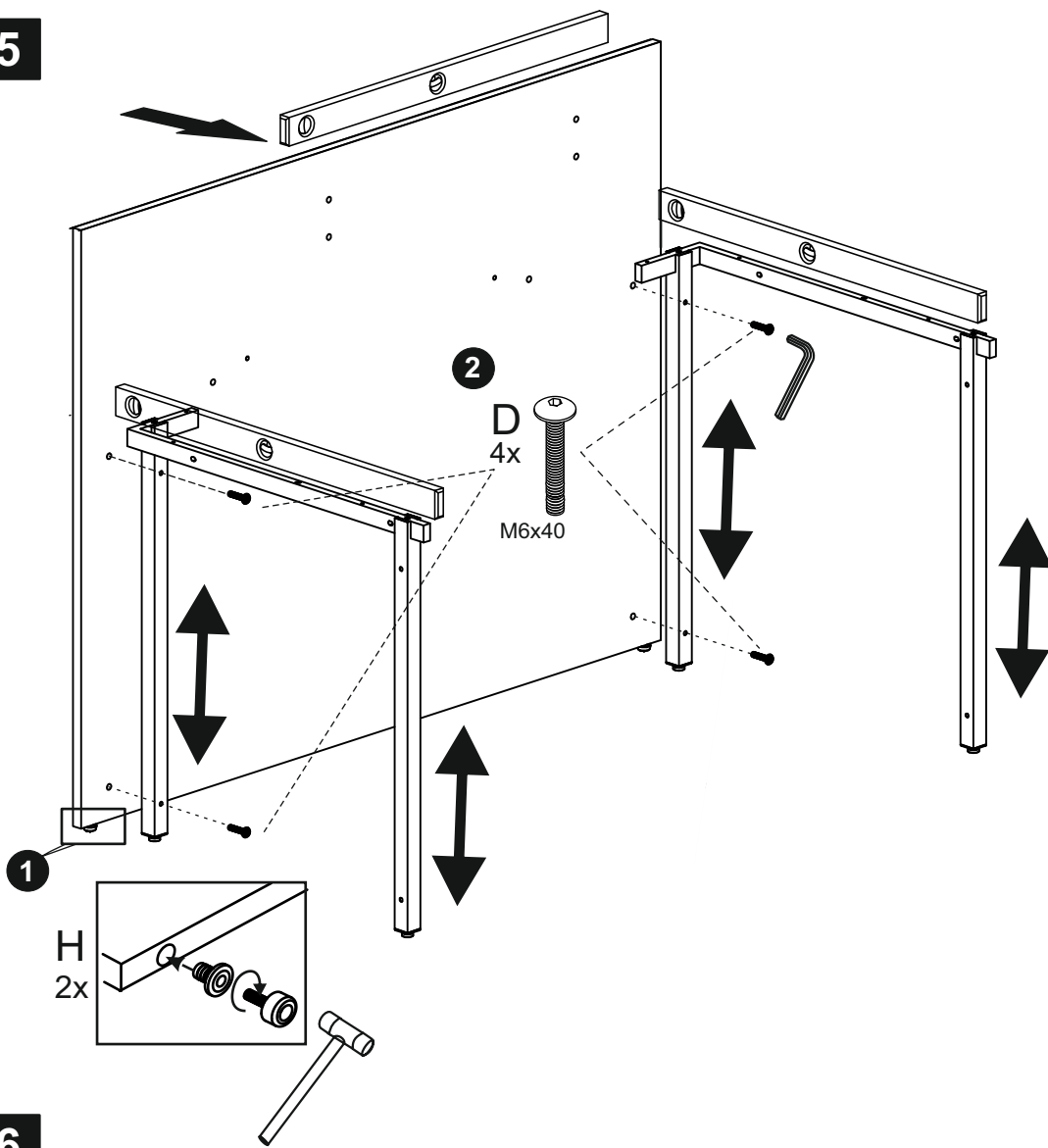
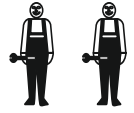
| X | Y | Z | |
|---|---|---|---|
| | | | |
| 4 | 4 | 2 | 1 |

**4**

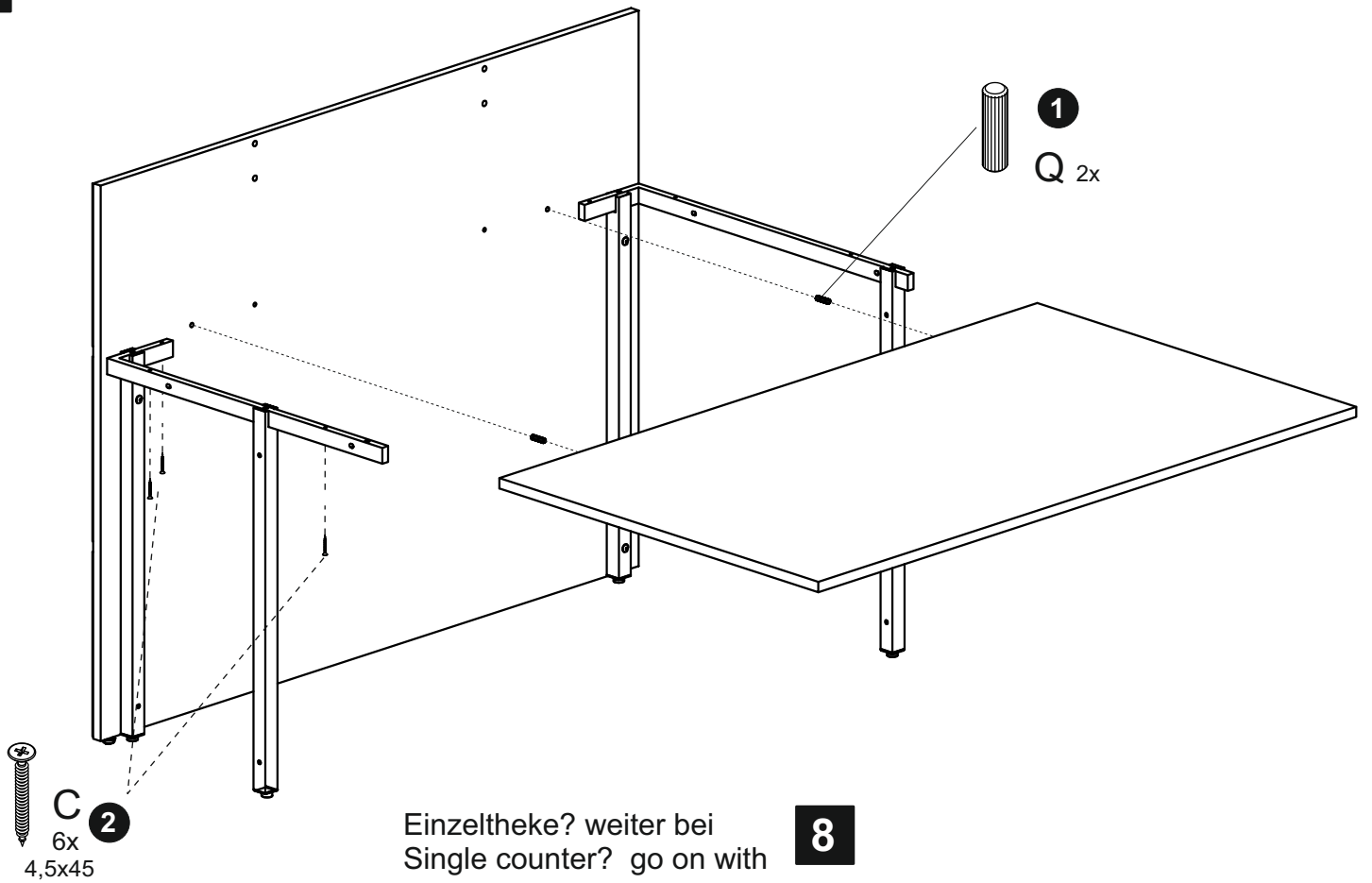
Ohne Taschenablagebrett / without bag shelf board



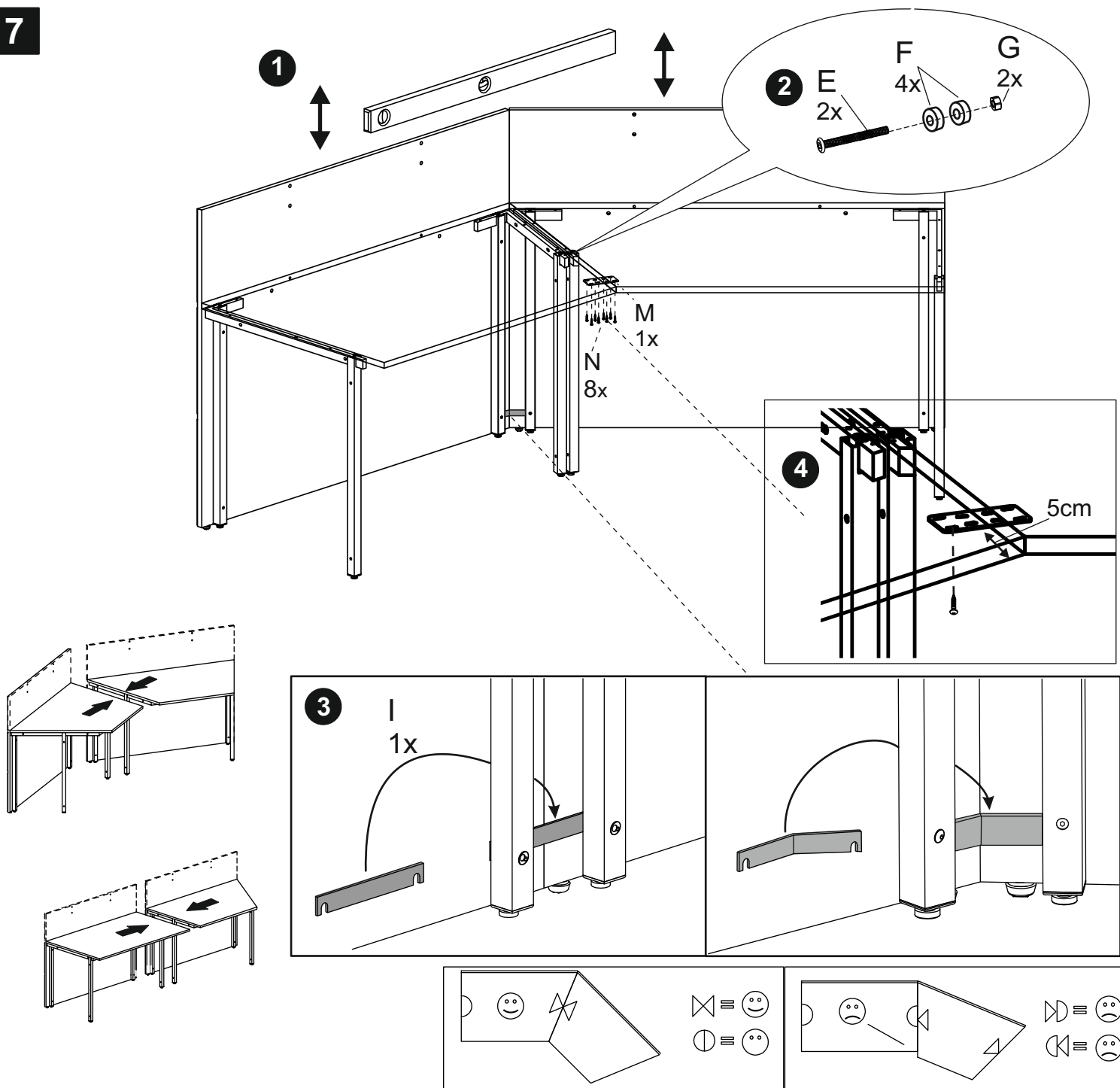
5



6



7

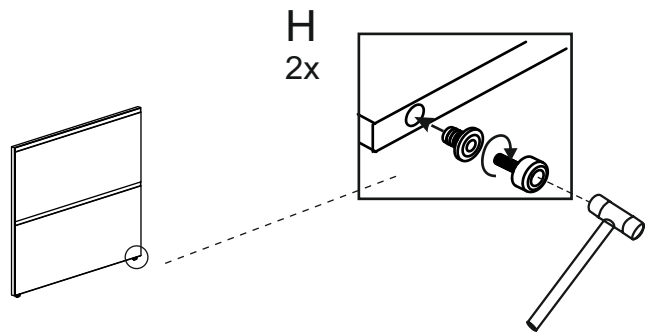
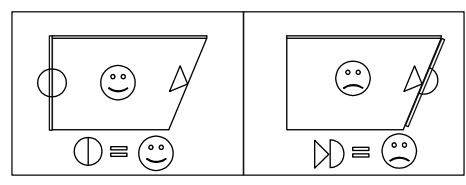


8

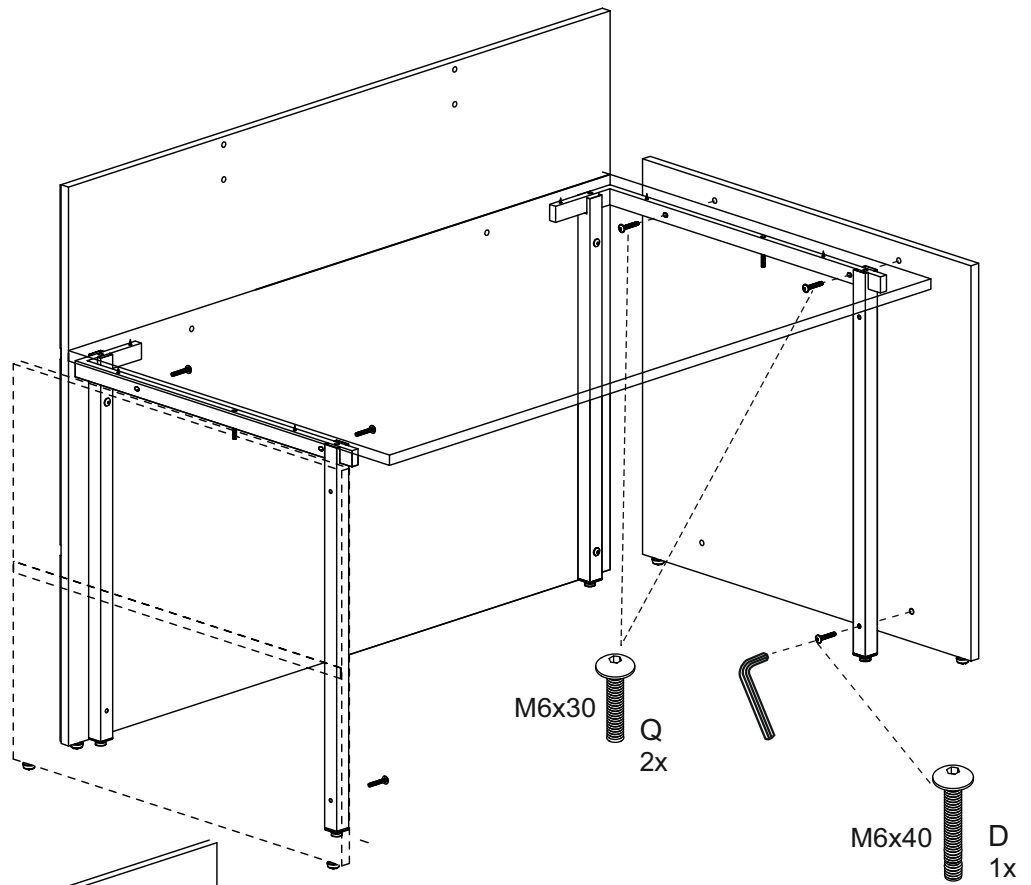
Zubehör/accessory/accessoire

**Seitenblende
Side panel**

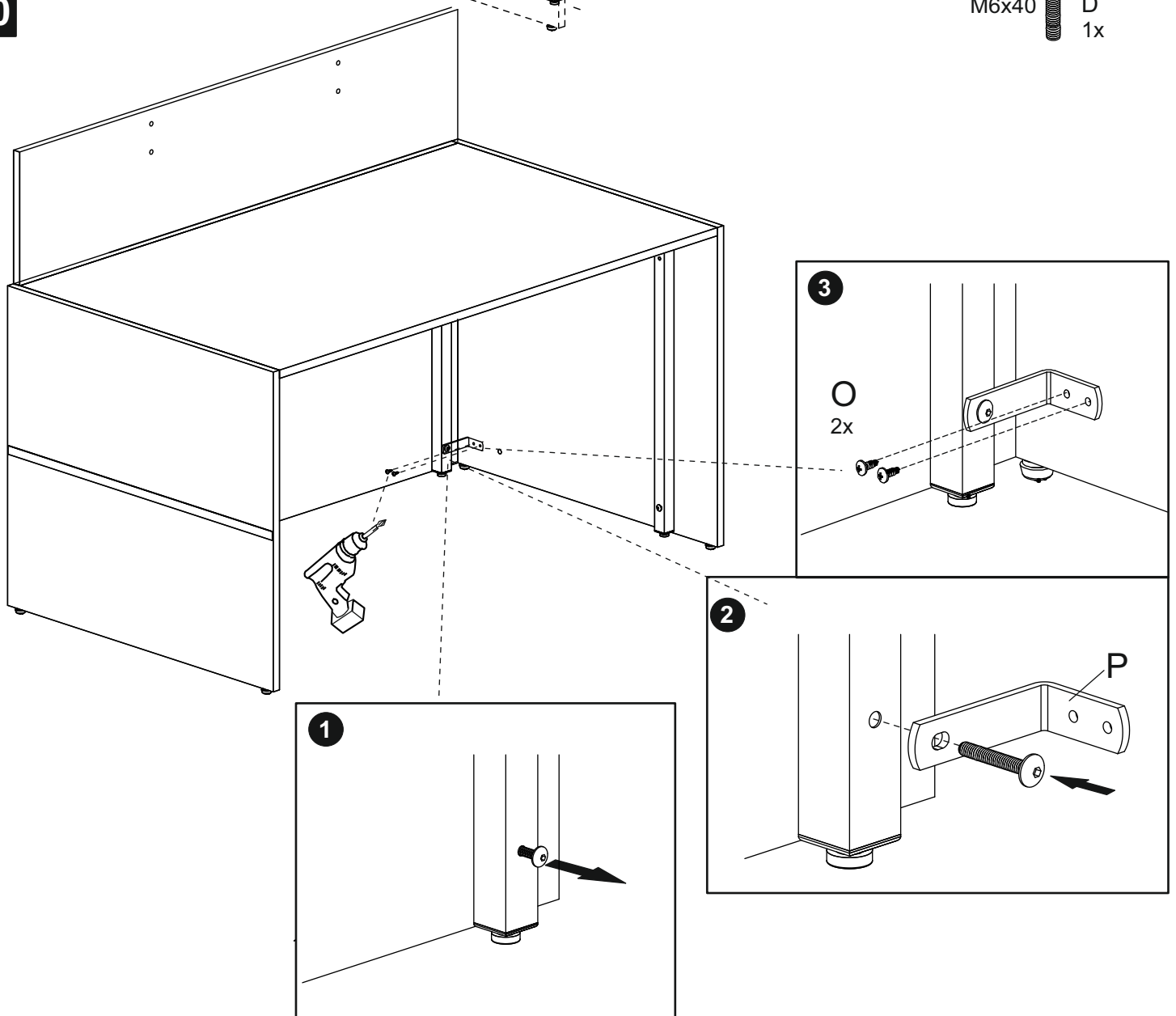
| Beschläge/ fittings | D | Q | H | P | O |
|---------------------|-------|-------|---|---|--------|
| | | | | | |
| | M6x40 | M6x30 | | | 4.5x17 |
| | 1 | 2 | 2 | 1 | 2 |

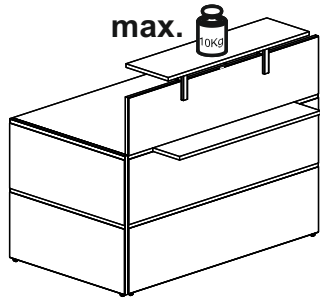


9



10

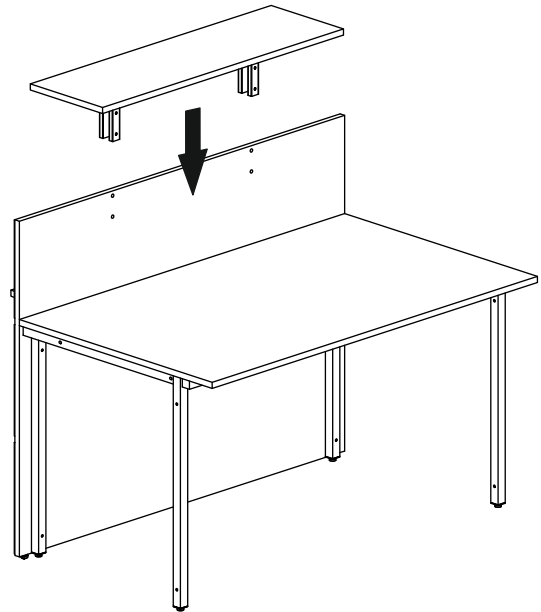
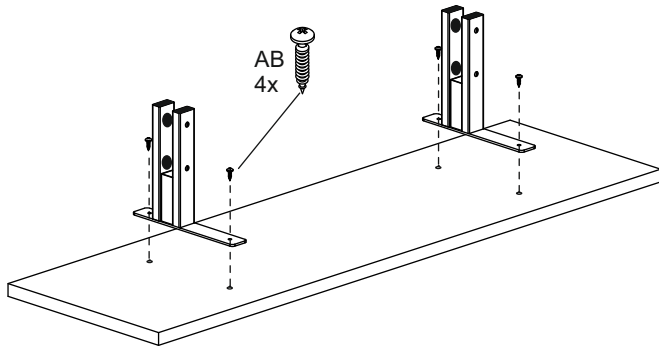




| | AB | BB | CB | |
|--|-------------|------------|----|---|
| | | | | |
| | 4.5x17 4 | M6x25 4 | 4 | 1 |

11

12



13

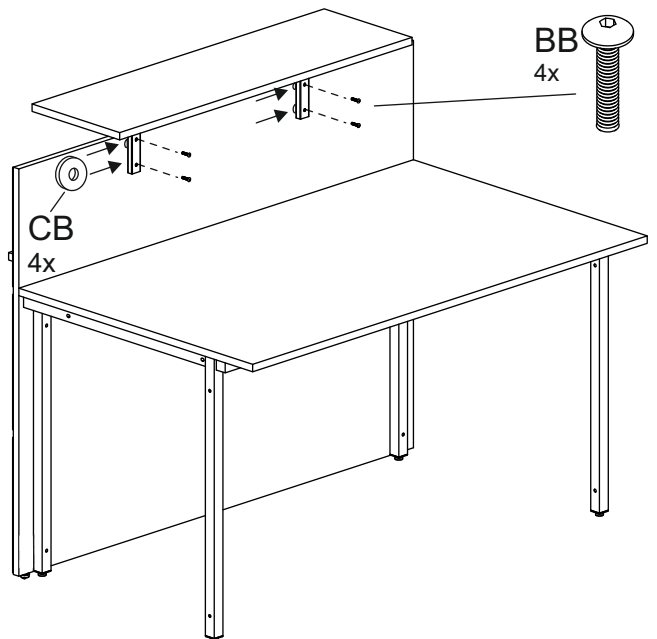
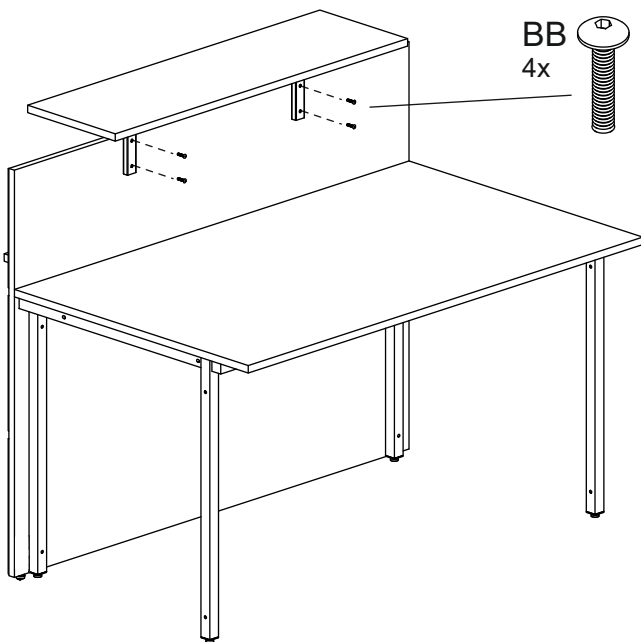


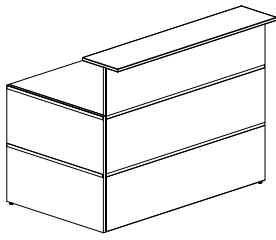
Frontplatte mit Glas
Front plate with glass
Table du front avec verre

14



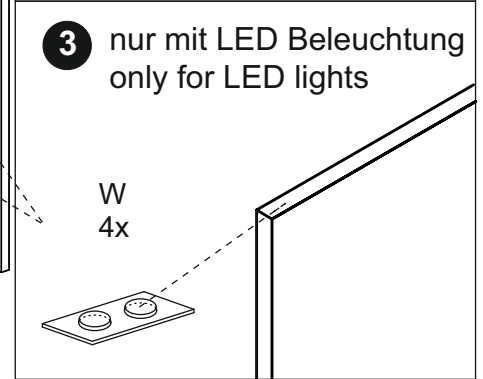
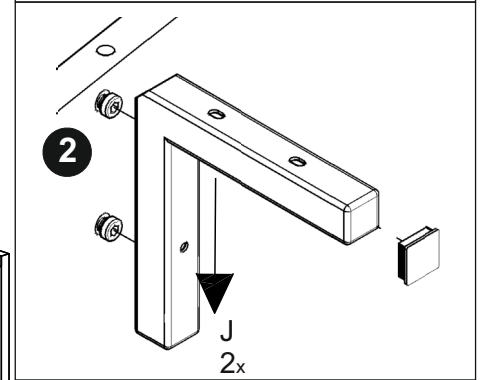
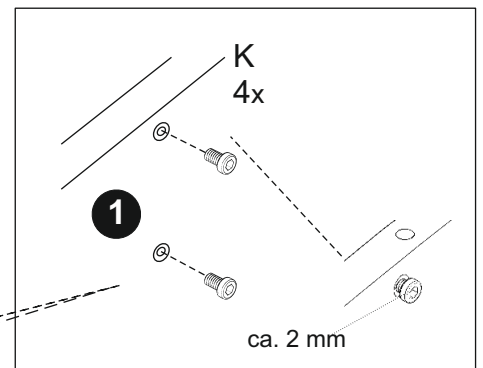
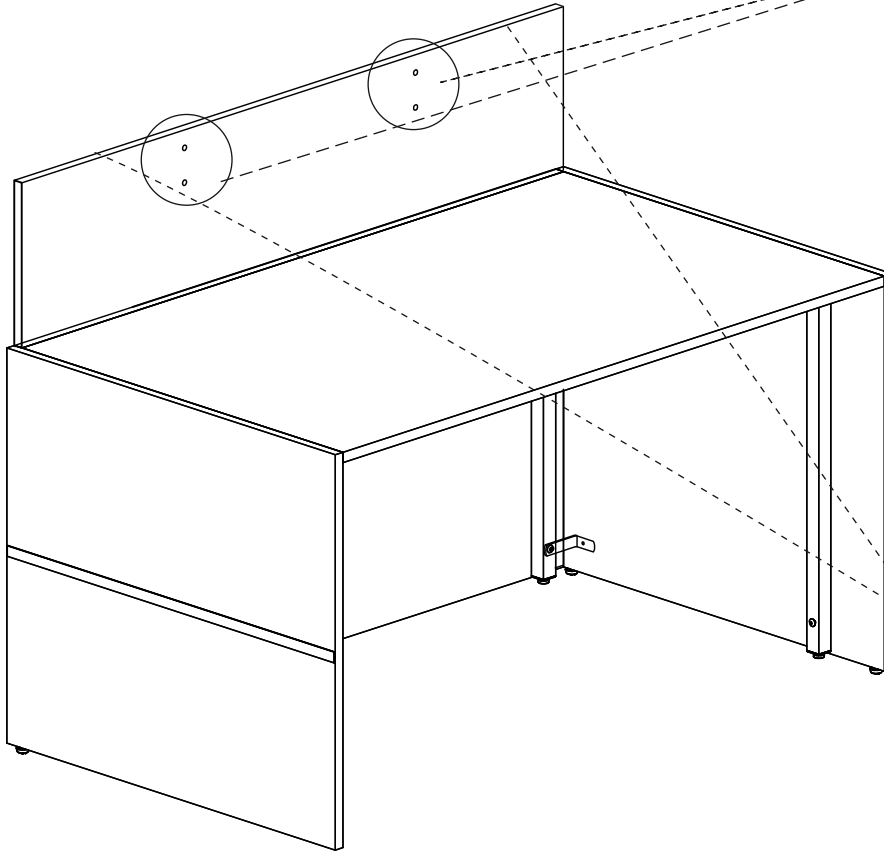
Frontplatte ohne Glas
Front plate without glass
Table du front sans verre



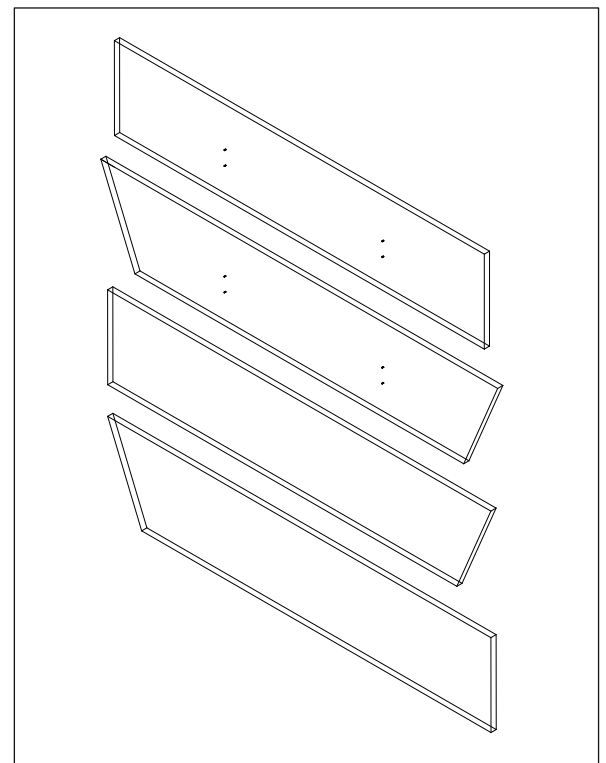
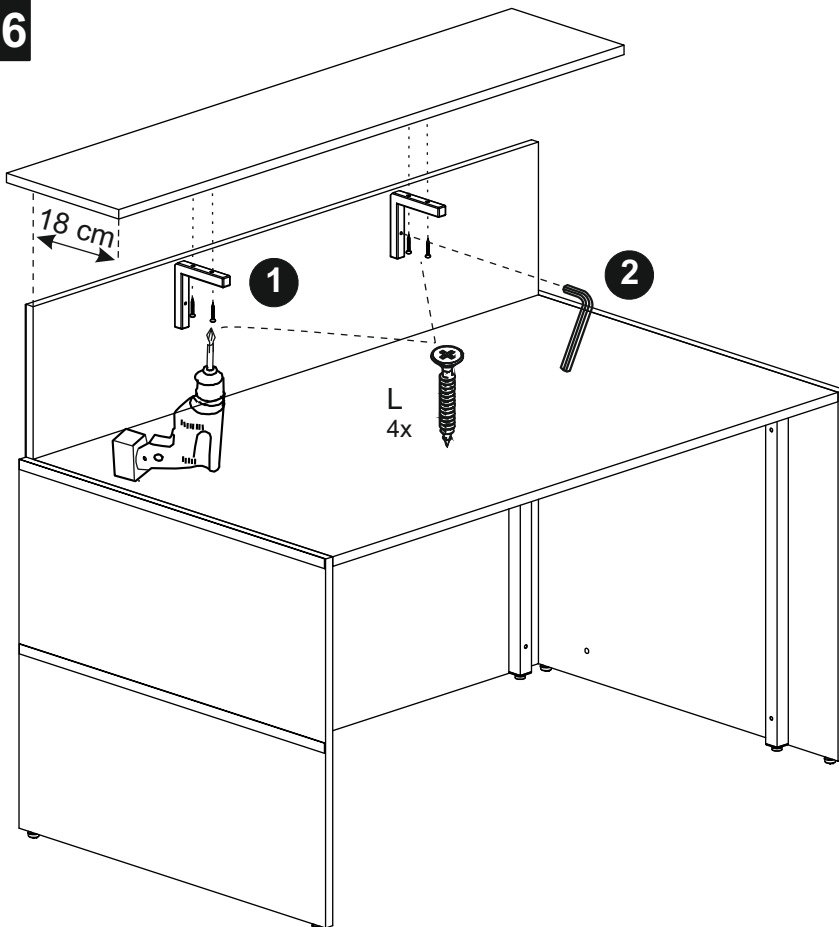


| J | K | L |
|---|---|-------------|
| | | |
| 2 | 4 | 4.5x35 4 |



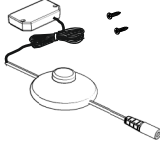



15

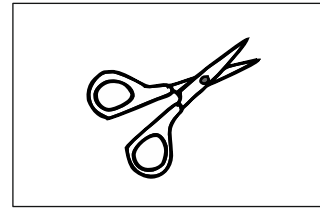


16



LED Zubehör/accessory/accessoire

| | | | U | V | W |
|---|---|---|---|---|---|
|  |  |  |  |  |  |
| LED Schlauch/ LED tube | | | | | |
| 1 | 1 | 1 | 1 | 10 | 4 |



17

