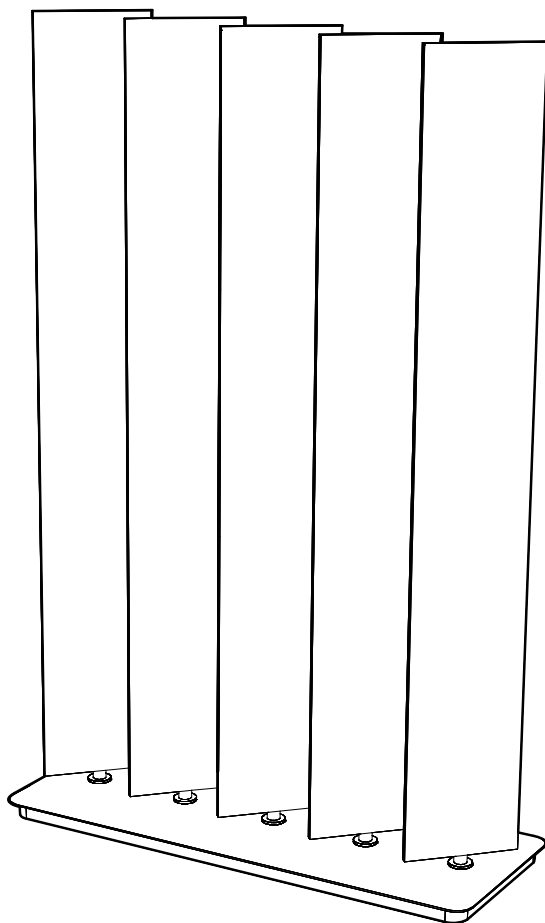
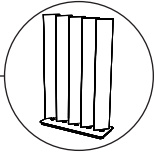


# BuzziBlinds Classic

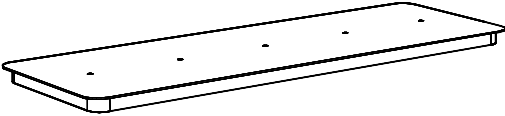
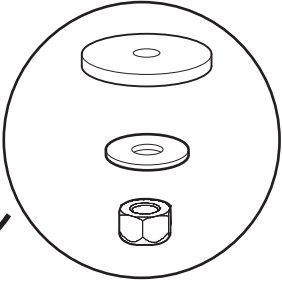
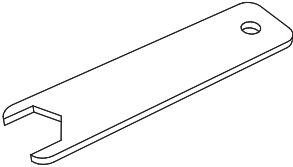
INSTALLATION MANUAL



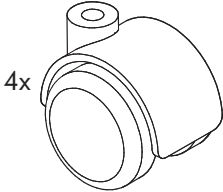
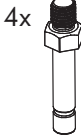
# Included BuzziBlinds Classic



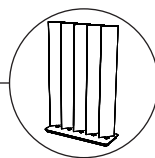
5x



## Optional Wheels

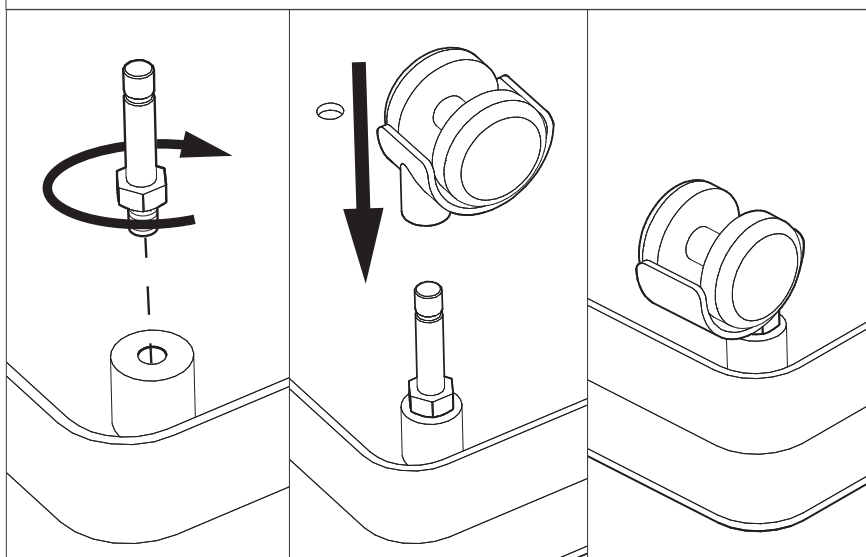
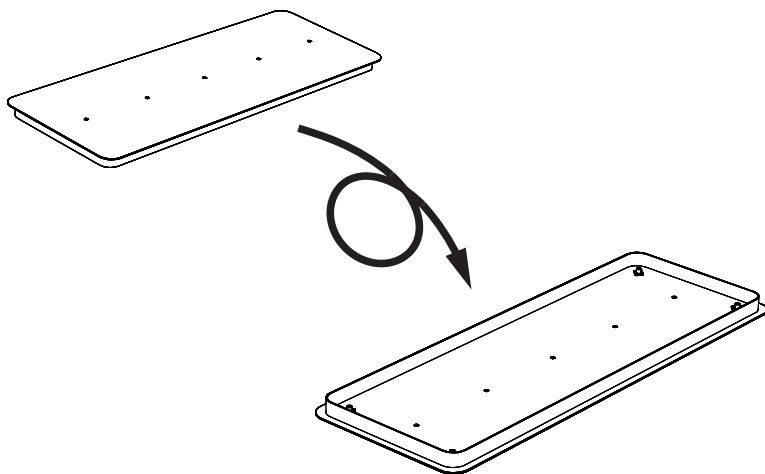


# BuzziBlinds Classic

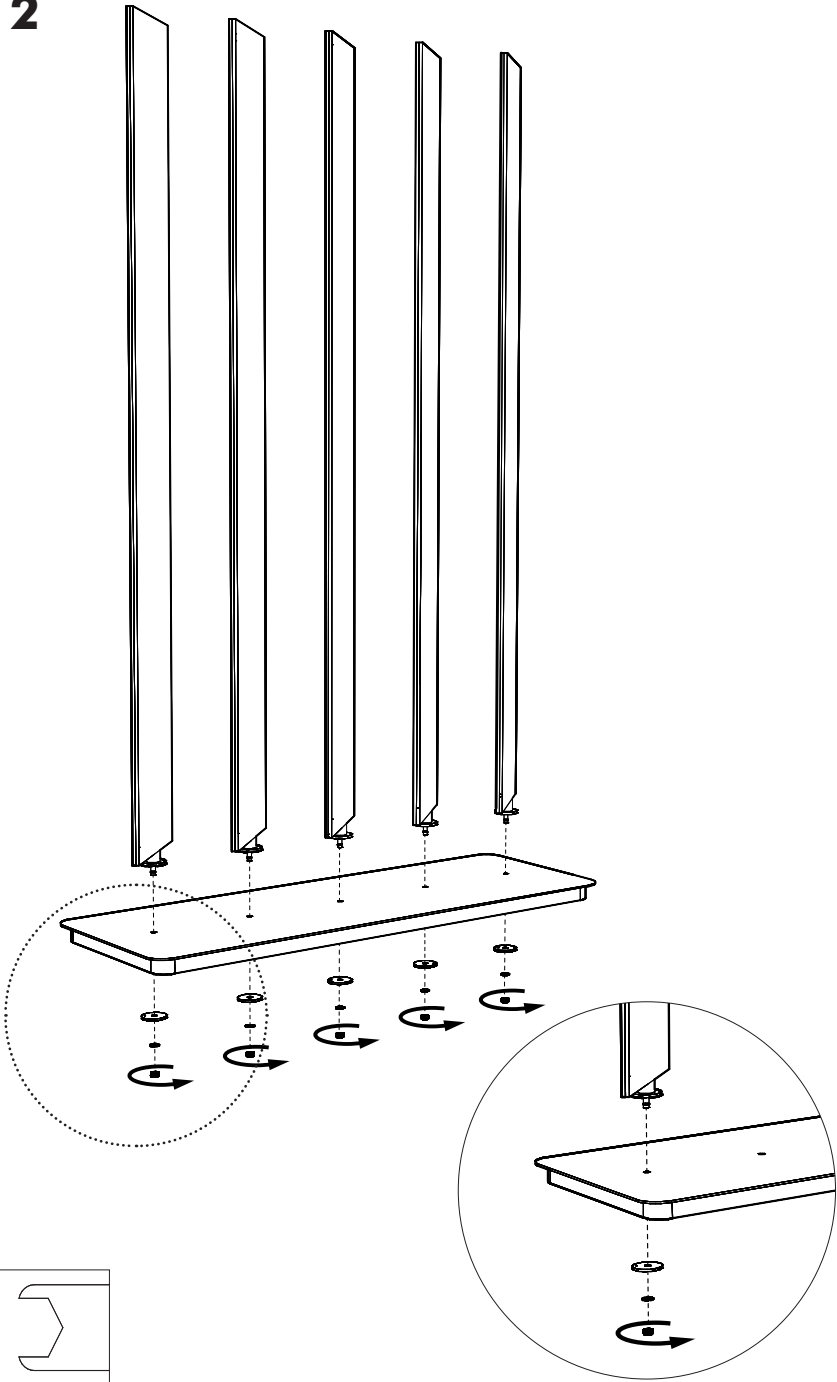


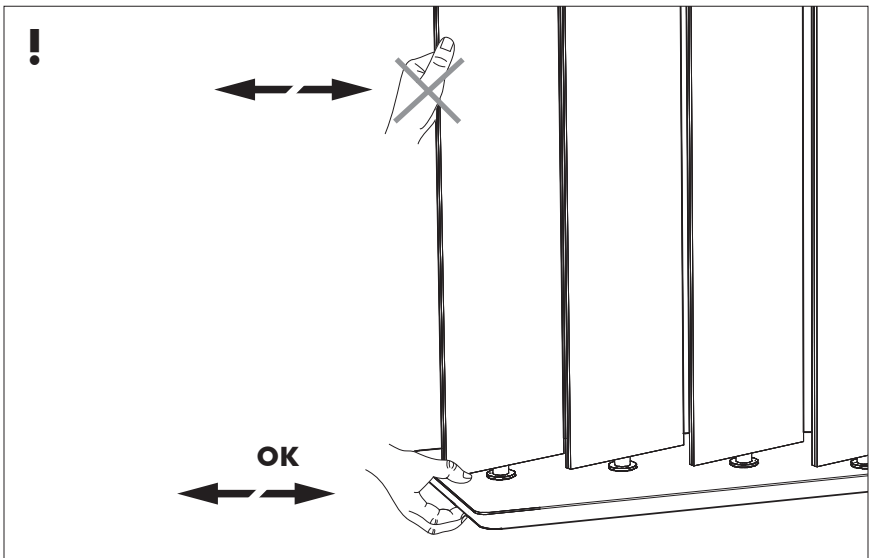
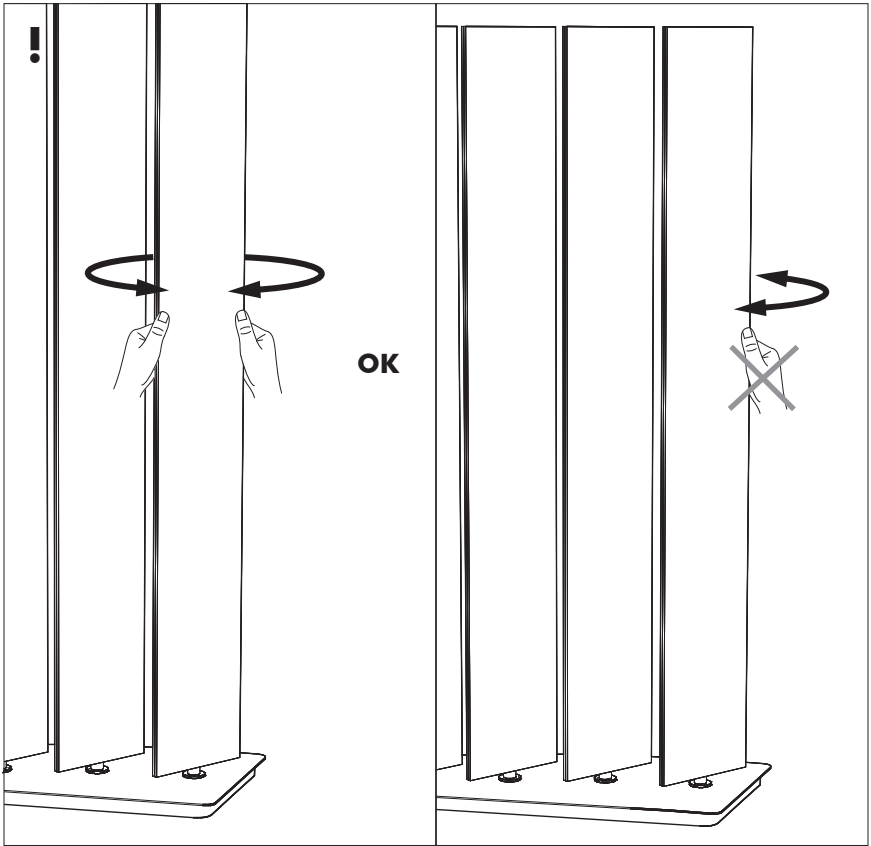
1 PERS. 

## 1 Optional Wheels



2









BuzziSpace Group NV  
Italiëlei 8, 2000 Antwerp  
Belgium

☎ +32 (0)3 846 10 00

✉ [info@buzzi.space](mailto:info@buzzi.space)

🌐 [www.buzzi.space](http://www.buzzi.space)



Doc nr.: A-0000002316/02

Last update: 29/11/2023