



## Product Specification Sheet

### BuzziJet Standing EU

— By BuzziSpace Studio

#### Perfect Curve

BuzziJet Standing is a simple and stylish add-on to any lounge area or break-out zone. Designed with flexible and open spaces in mind, this sound-absorbing floor lamp brings personality to the space while offering a cosy and calm atmosphere. Its wide upholstered body and aerodynamic design, supported by an elegant curvy frame, will let you experience the importance of good acoustics. Moreover, create a warm and relaxed space through its dimming feature.



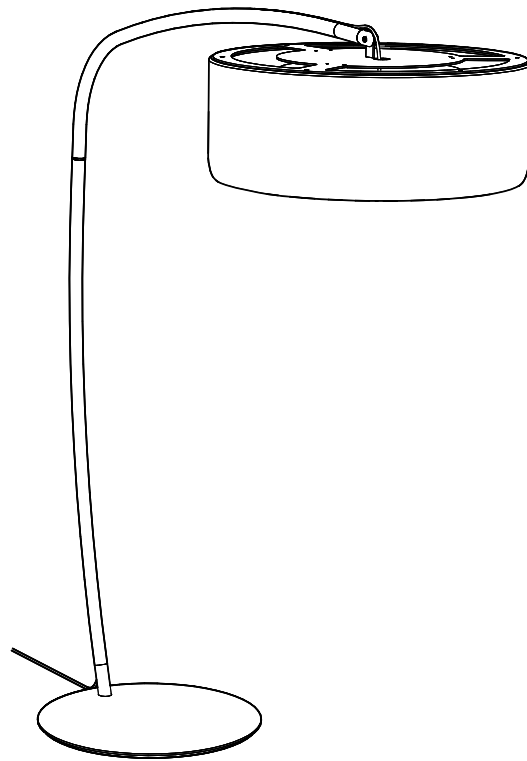
# The Family

**Model**

**BuzziJet Standing**

**Lighting Unit**

**LED Disk  
Ø 470**



---

Required order information

1. Fabric (CAT -> Collection -> Color)
2. Color Power Cable
3. Plug Type

# Lighting Data

---

## Lighting Unit

LED Disk Ø 470



The PMMA diffuser ensures an optimal light spread and efficiency. It creates a very diffuse light surface without any dottiness. The light source of the BuzziJet Standing is a LED PCB, containing 36 low power LED's.

# Lighting specifications

## BuzziJet Standing

Lighting Unit	Voltage	Wattage	Light Output Luminaire	Efficacy (Lm/W)	CRI	Dimming	Color Temperature	UGR	Standard (stock) On request (>LT)	Color Power Cable	Color Baseplate and arch	Fabric Collection	Fabric Color
LED Disk Ø 470	220-240V	21W	1900 Lm	90	95	Floordimmer	3000K	22	Standard	Black	Black	Use color codes below	Use color codes below
LED Disk Ø 470	220-240V	21W	1900 Lm	90	95	Floordimmer	3000K	22	Standard	Red	Black	Use color codes below	Use color codes below

CE CB

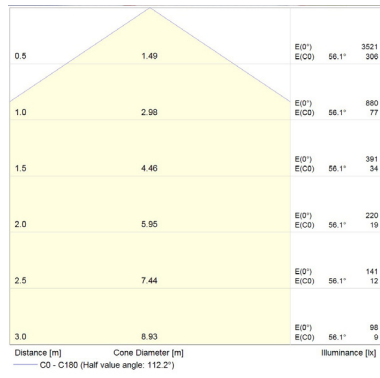


PEFC™ PEFC/07-32-385

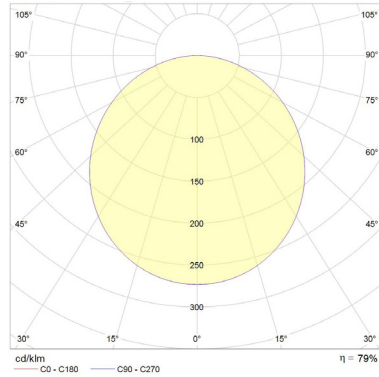
# Photometric Data

## BuzziJet Standing LED Disk Ø 470

LED Disk Ø 470 Cartesian diagram



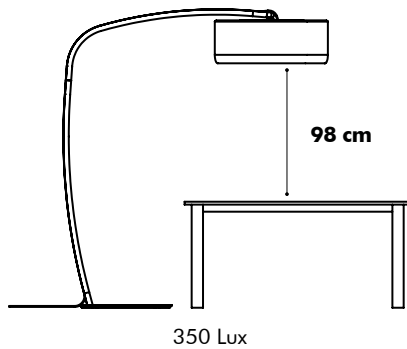
LED Disk Ø 470 Polar curve



## Tips and Tricks - Light Options

To enlight your workplace with optimal lux levels take following measurements into account:

### BuzziJet Standing LED Disk Ø 470

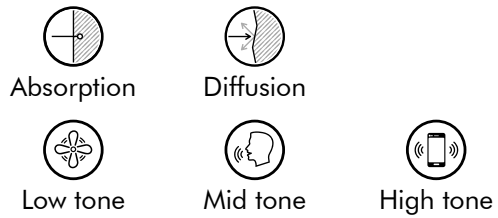


# Product Data

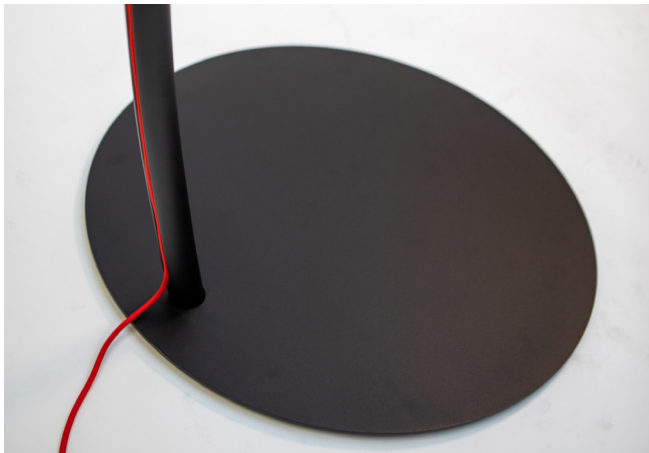
## Acoustic Shade



The acoustic shade is upholstered top to bottom in a chosen fabric.  
The Light source is wrapped with an upholstered ring in the same fabric as the acoustic shade.



## Frame



As final touch the fabric cable is intentionally pushed into the curved shape frame, hiding all the screws and connections.  
Select a red fabric power cable to create a detail that stands out or choose a black one to create an elegant layout.

## Dimming



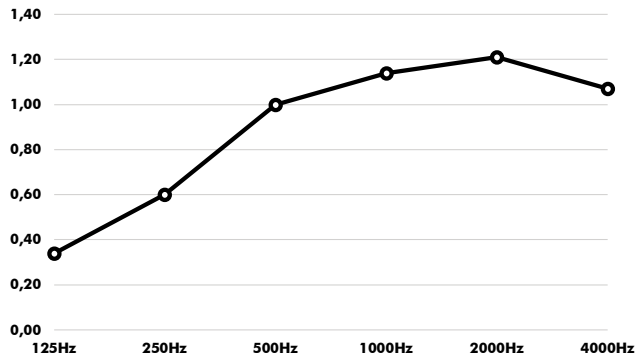
You can choose a more energized or intimate atmosphere by dimming the light.

# Acoustics

---

## BuzziJet Standing

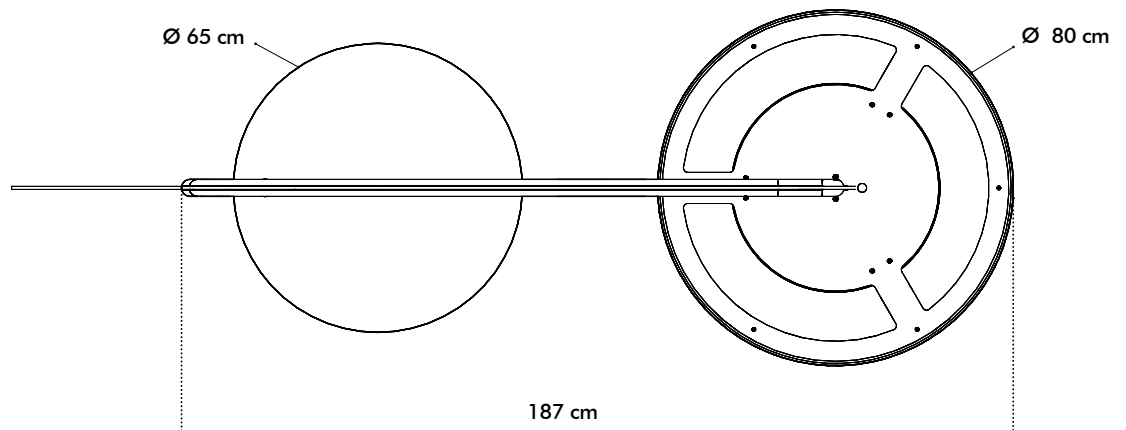
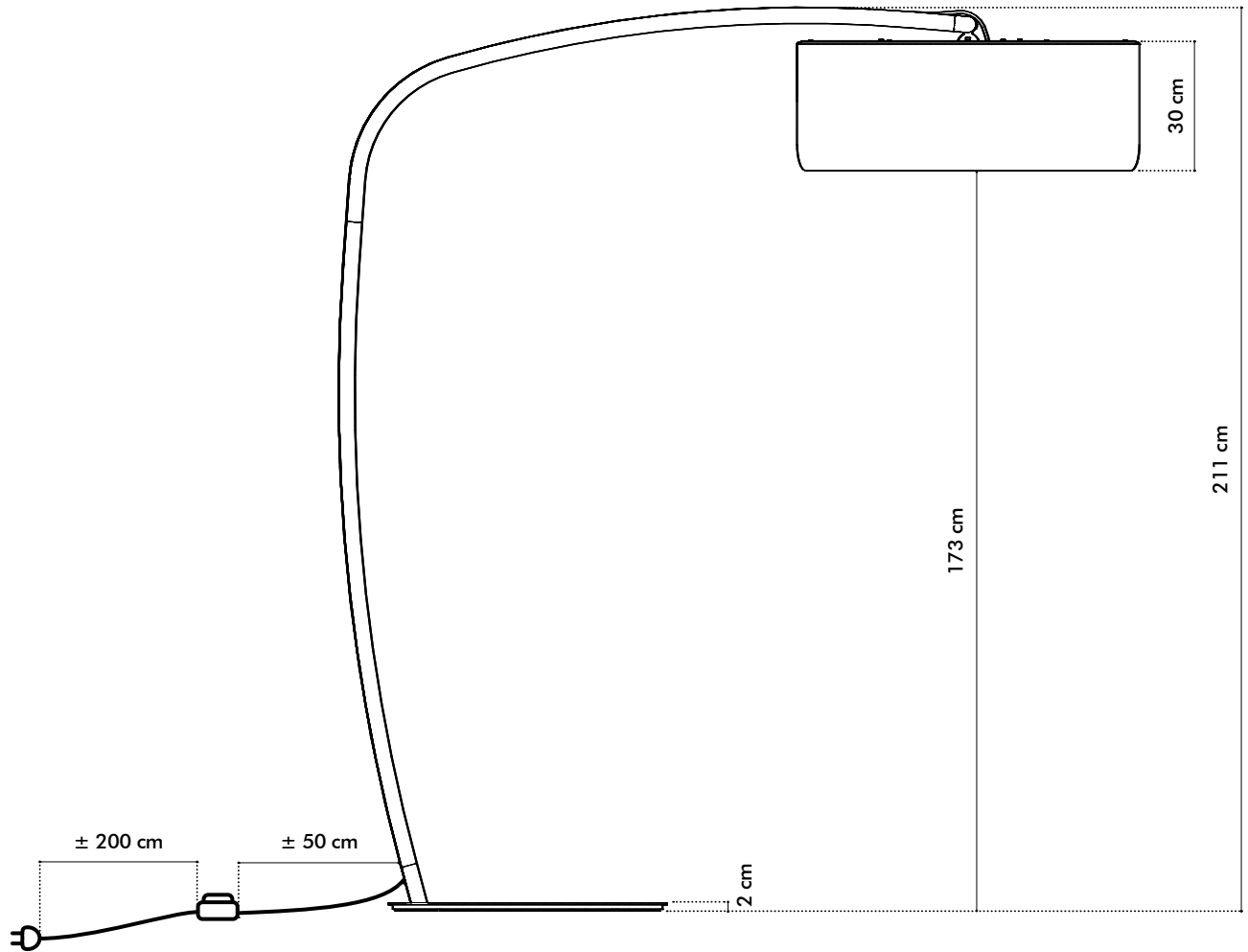
Equivalent sound absorption area in m<sup>2</sup> per object



Hz	Aeq/m <sup>2</sup>
125	0.34
250	0.60
500	1.00
1000	1.14
2000	1.21
4000	1.07

# Dimensions

## BuzziJet Standing

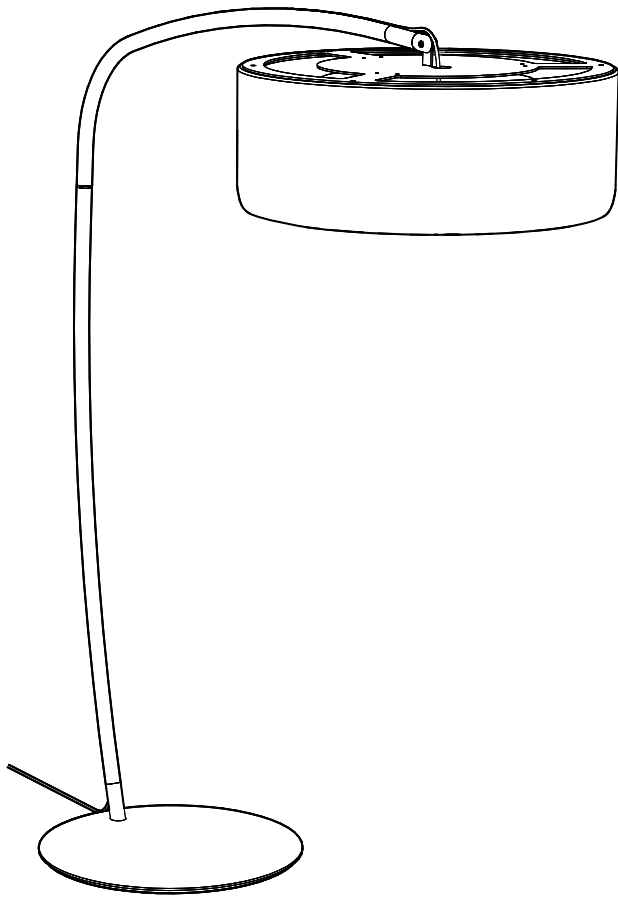





---

# Weights

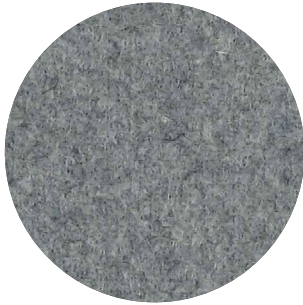
## BuzziJet Standing



 Total: 68 kg  
Baseplate: 45 kg  
Arch & Shade: 23 kg

# Fabrics

## Fabric (45 colors)



**Category A**

**Composition** 70% Recycled Wool, 25% Recycled Polyacryl,  
5% Recycled Other Fabrics

**Weight** 405 g/m<sup>2</sup> | 11.94 oz/yd<sup>2</sup>

**Abrasion resistance** 40.000 Martindale, 50,000 Wyzenbeek

**Flammability** EU: EN 1021.1/2006 | BS EN 1021.1/2006 (cigarette).  
EN 1021.2/2006 | BS EN 1021.2/2006 (match)  
USA: CAL TB 117 | ASTM E84 CLASS A

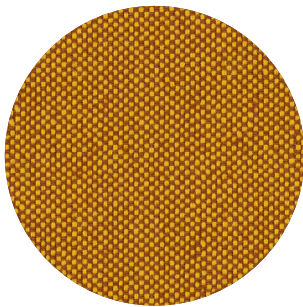
**Fastness to light** EU: 4 | USA 4

**Fastness to rubbing** EU: Wet 3-4 | Dry 4-5

**Fastness to crocking** USA: Wet 5 | Dry 5



## Trevira CS+ | CS (47 colors)



**Category A**

**Weight** 420 g/m<sup>2</sup> | 12.39 oz/yd<sup>2</sup>

**Composition** 100% Polyester, Trevira CS

**Abrasion resistance** 100.000 Martindale, 90,000 Wyzenbeek

**Flammability** BS 5852 part II: CRIB 5 | BS 7176 Medium Hazard  
USA: CAL TB 117 | M1 | B1 | EN 1021/1-2 | C1 |  
IMO Res. A652 (16)

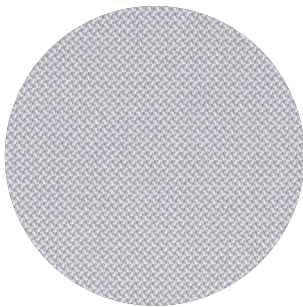
**Fastness to light** EU: 6 | USA 5

**Fastness to rubbing** EU: Wet 4-5 | Dry 4-5

**Fastness to crocking** USA: Wet 5 | Dry 5



## Revive 1 (25 colors)



**Category A**

**Composition** 100% recycled polyester FR

**Weight** 430 g/lin.m

**Abrasion resistance** 60.000 Martindale rubs, EN ISO 12947

**Flammability** EN 1021-1/2 | DIN 4102 B1 | Önorm B1/Q1  
UNI 9175 1IM | US Cal. Tech. Bull. 117  
IMO A.652 (16)

**Fastness to light** Note 5-7, ISO 105-B02

**Fastness to rubbing** (ISO) dry 5, wet 4-5

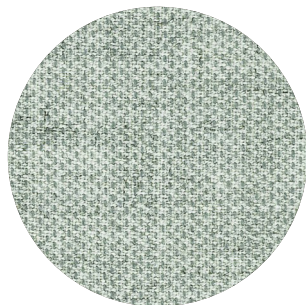
**Pilling** Note 4-5, EN ISO 12945



kvadrat

## Clara 2 (24 colors)

kvadrat



**Category** B

**Composition** 92% new wool, 8% nylon

**Weight** 400 g/lin.m

**Abrasion resistance** 80.000 Martindale rubs, EN ISO 12947

**Flammability** EN 1021-1/2 | BS 5852, ignition source 2-3 | DIN 4102 B2  
NF D 60 013 | UNI 9175 1IM | US Cal. Tech. Bull. 117, Sec. E  
NFPA 260 | IMO A.652(16)

**Fastness to light** Note 5-7, ISO 105-B02

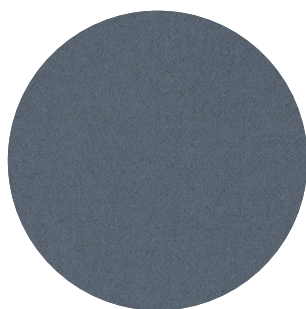
**Fastness to rubbing** (ISO) dry 4-5, wet 4

**Pilling** Note 4, EN ISO 12945



## Remix 3 (73 colors)

kvadrat



**Category** B

**Composition** 90% new wool, 10% nylon

**Weight** 415 g/lin.m

**Abrasion resistance** 100.000 Martindale rubs, EN ISO 12947

**Flammability** EN 1021-1/2 | BS 5852 part 1  
Önorm B1/Q1 | NF D 60 013 | UNI 9175, 1IM  
AS/NZS 1530.3 | Cal. Tech. Bull. 117-2013  
NFPA 260 | IMO FTP Code 2010:Part 8

**Fastness to light** Note 5-7, ISO 105-B02

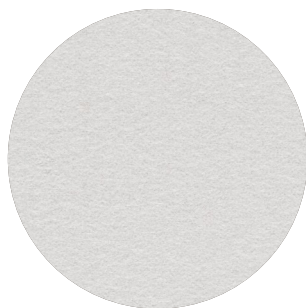
**Fastness to rubbing** (ISO) dry 4-5, wet 4

**Pilling** Note 4, EN ISO 12945



## Hero 2 (33 colors)

kvadrat



**Category** C

**Composition** 97% new wool, 3% nylon

**Weight** 580 g/lin.m

**Abrasion resistance** 45.000 Martindale rubs, EN ISO 12947

**Flammability** EN 1021-1/2 | DIN 4102 B2 | NF D 60 013  
UNI 9175 1IM | US Cal. Bull. 117-2013 | NFPA 260  
IMO A.652 (16)

**Fastness to light** Note 5-6, ISO 105-B02

**Fastness to rubbing** (ISO) dry 4-5, wet 4-5

**Pilling** Note 3-4, EN ISO 12945



## Tonus 4 (47 colors)

kvadrat



**Category** D

**Composition** 90% new wool, 10% Helanca

**Weight** 665 g/lin.m

**Abrasion resistance** 100.000 Martindale rubs, EN ISO 12947

**Flammability** EN 1021-1/2 | BS 5852 part 1 | DIN 4102 B2

Önorm B1/Q1 | NF D 60 013 | UNI 9175 11M

US Cal. Bull. 117-2013 | NFPA 260 | IMO A.652 (16)

**Fastness to light** Note 5-7, ISO 105-B02

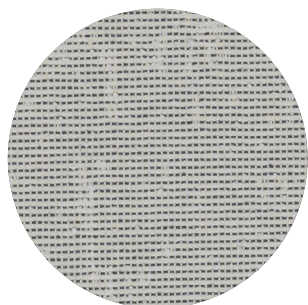
**Fastness to rubbing** (ISO) dry 3-5, wet 3-5

**Pilling** Note 3, EN ISO 12945



## Memory 2 (20 colors)

kvadrat



**Category** E

**Composition** 100% Trevira CS

**Weight** 700 g/lin.m

**Abrasion resistance**

35.000 rubs acc. to the Martindale method, EN ISO 12947

**Flammability** EN 1021-1/2 | DIN 4102 B1 | Önorm B1/Q1

NF D 60 013 | NF P 92 507 M1 | UNI 9175 11M

UNI 9177 classe 1 | US Cal. Tech. Bull. 117

IMO A.652 (16)

**Fastness to light** Note 5-8, ISO 105-B02

**Fastness to rubbing** (ISO) dry 4-5, wet 4-5

**Pilling** Note 4, EN ISO 12945

