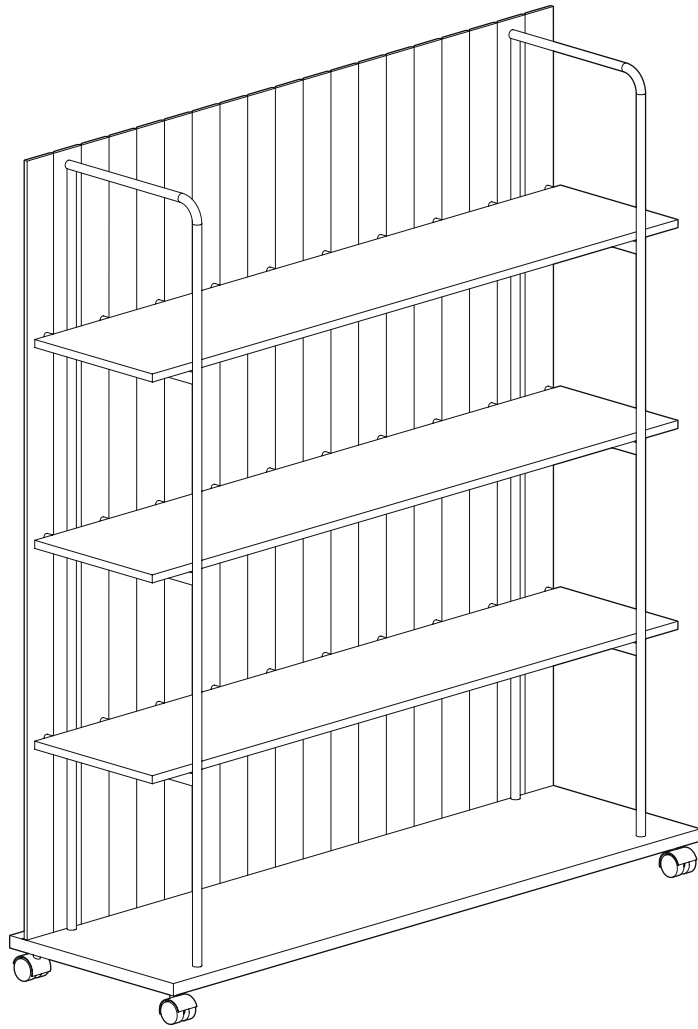
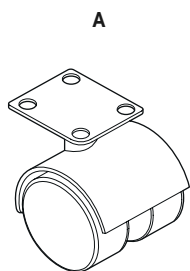
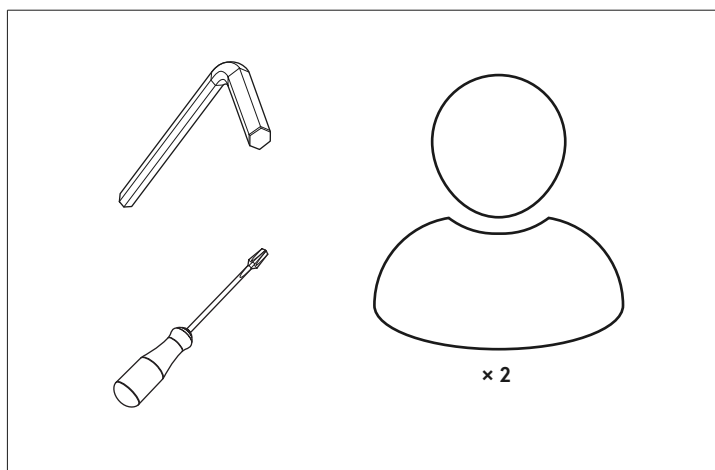


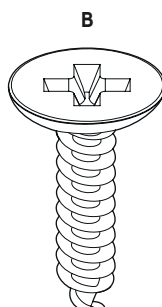
# straight bookcase



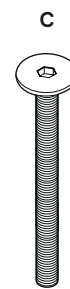
# components



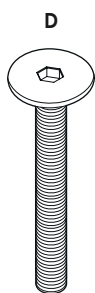
x 4



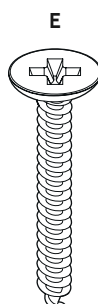
x 16



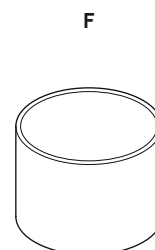
x 4



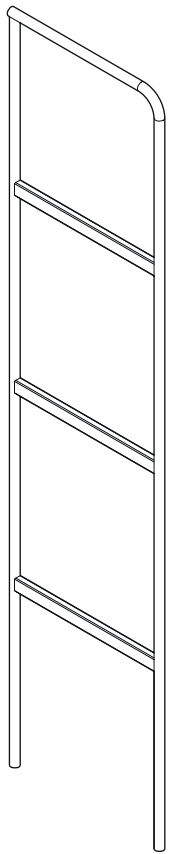
x 14



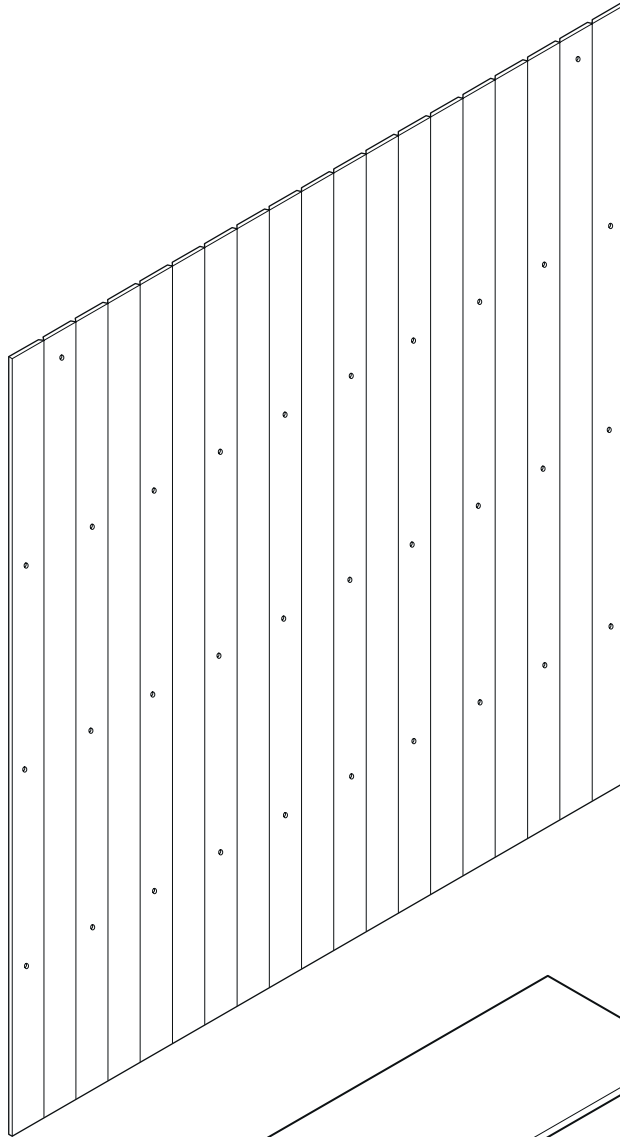
x 30



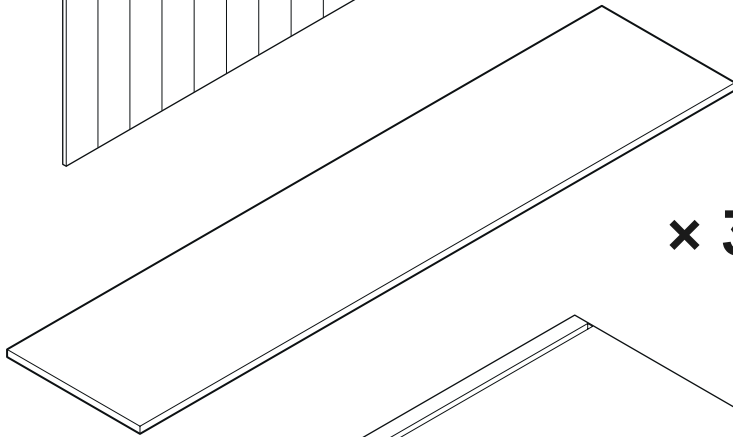
x 30



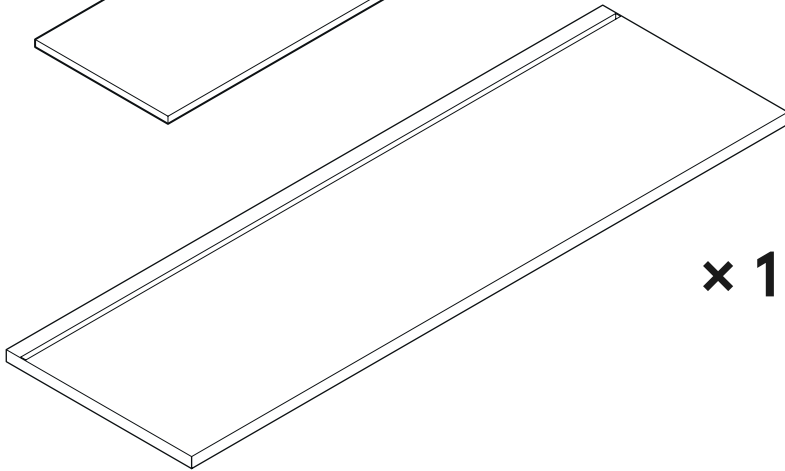
**× 2**



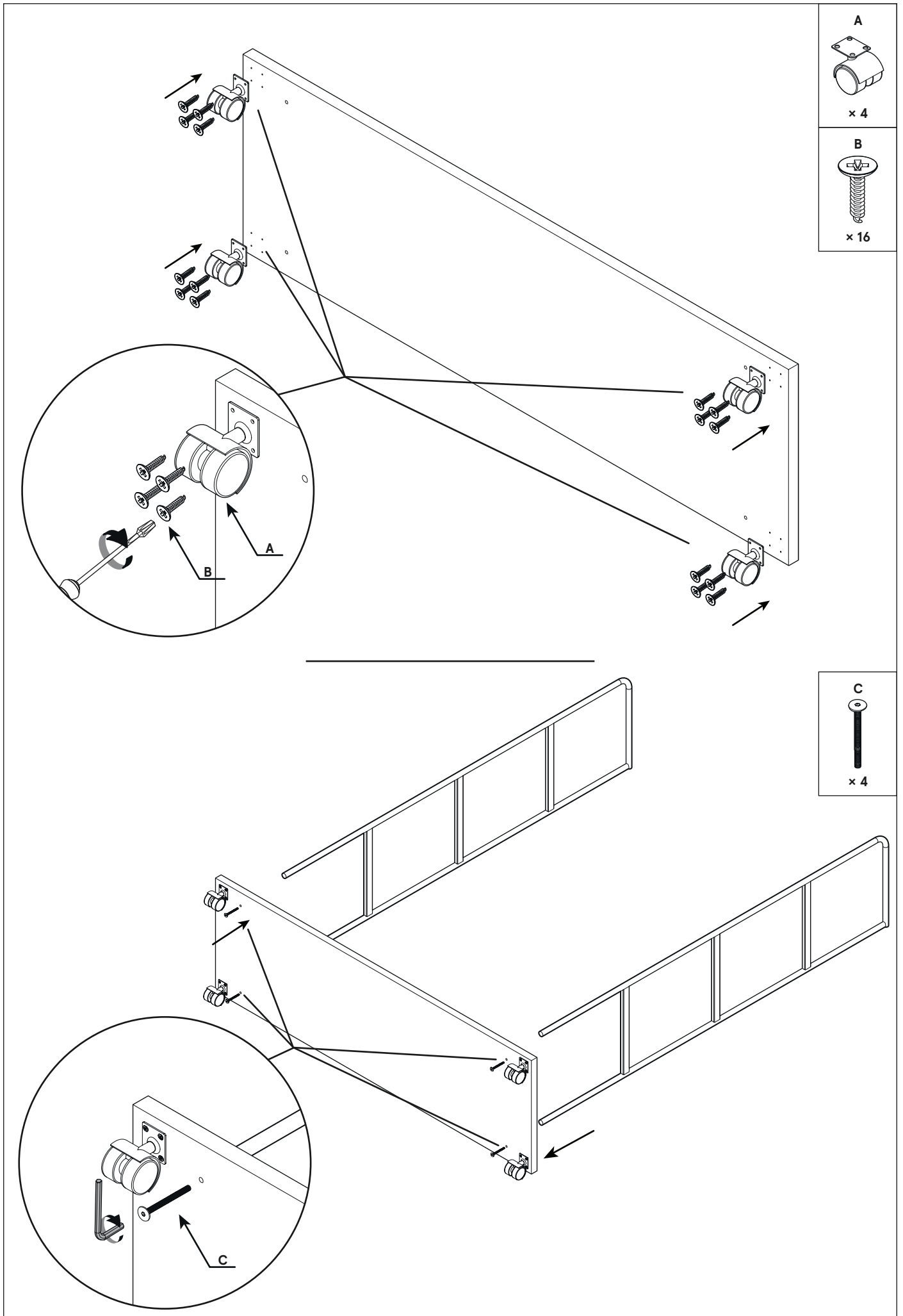
**× 1**

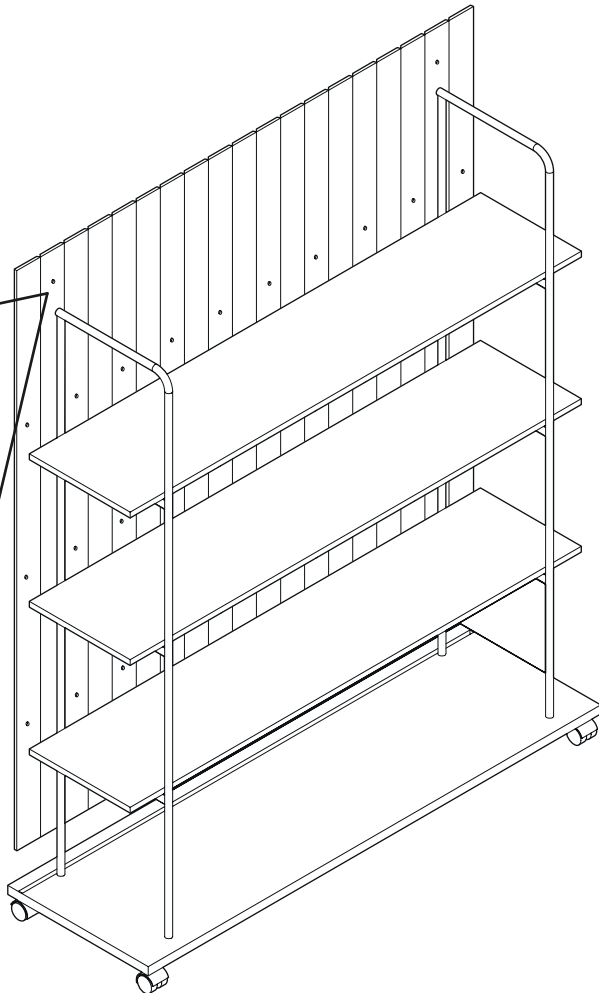
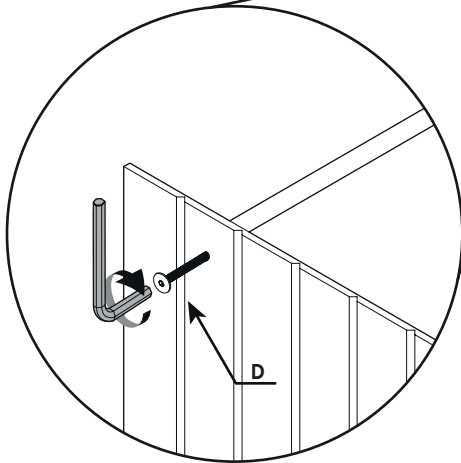
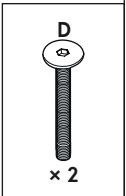
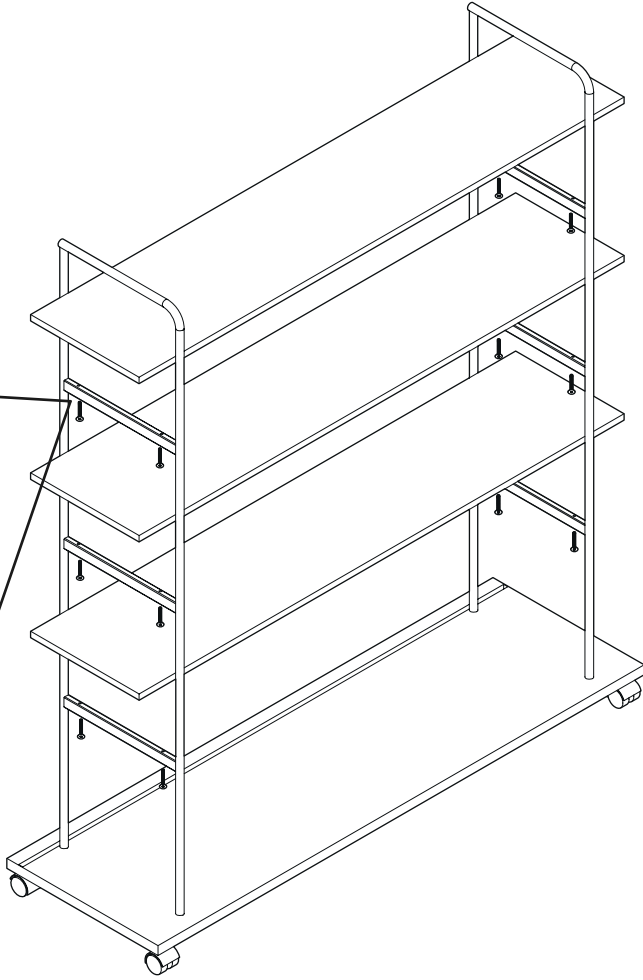
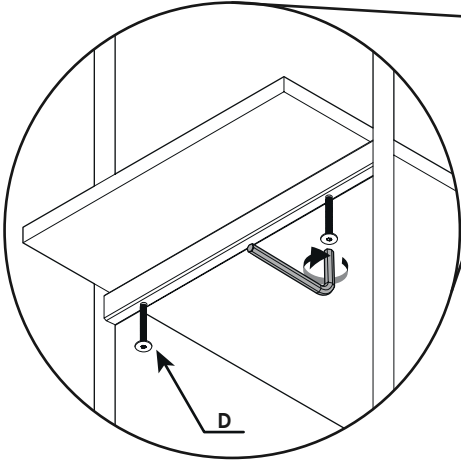
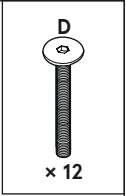


**× 3**



**× 1**





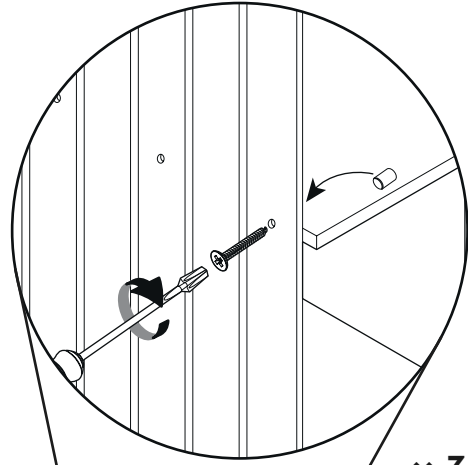


x 30

F



x 30



x 30

